

Heating



HeatPAC and Heated Lid

Compact on-deck heating device

HeatPAC heating device

Highest temperature range and most compact heating system

HeatPAC and Heated Lid

HeatPAC

The INHECO HeatPAC is especially made for integration on deck of robotic workstations. It is designed for stationary heating up to 135 °C of almost any ANSI/SLAS format disposable. Due to the very low profile of only 40 mm, deepwell plates or other high disposables will fit on most liquid handling instruments, even when limited space is available between the pipetting head and the deck. The footprint of the HeatPAC is hardly bigger than the plate disposable, the flexible cable routing with cable exit downwards, sideways, or lengthways allows a seamless on-deck integration. This unit is a ready-to-install high performance resistance heater device, CE and UL certified.



7900046 HeatPAC with 7900016 Flat Bottom Adapter & Positioning Frame

Features

- Space saving thermal block with low profile (40 mm)
- High temperature range from ambient +5 K to 135 °C
- Open access heating unit
- Adapter plates available for a wide range of microplates, DWP, tubes, reservoirs, etc.

Heated Lid

The INHECO Heated Lid can be used as an extra add-on heater on top of the HeatPAC (or CPAC heating & cooling units), to increase heating rates, to improve temperature uniformity (especially for deepwell plates), and to enable longer duration incubation. The Heated Lid avoids condensation at the top of the plate, as well as reducing evaporation losses, but without needing the space consumption of a dedicated incubator. The Heated Lid has a flexible cable and is of low enough weight (420 g) to allow transport by most gripper systems, yet heavy enough to seal the plate. Thus, fully automated processing is possible with the Heated Lid.



8900033 Heated Lid

Features

- Condensation avoidance on top of sealed plates
- Temperature from ambient +5 K to 115 °C
- Fully automated processing possible due to flexible cable and low weight
- Increases heating performance & temperature uniformity on HeatPAC

Application areas

HeatPAC and the Heated Lid are used on robotic platforms to form temperature controlled areas, with direct and easy access by robotic grippers and pipetting heads. The control units (MTC / STC) of the HeatPAC & the Heated Lid allow effortless integration into all major liquid handling systems, such as:

Agilent:	Bravo, BioCel
Beckman:	Biomek FX, NX, 3000, 4000
Hamilton:	Star Line, Nimbus, Vantage
Tecan:	Freedom EVO, Fluent, Genesis, Temo
PerkinElmer:	Janus, Multiprobe II, Sciclone, Zephyr
Zinsser:	Lissy
Sias:	Xantus



7900046 HeatPAC with 8900033 Heated Lid

Main specifications

Specifications	7900046 HeatPAC	8900033 Heated Lid
Temperature range	ambient +5 K to 135 °C	ambient +5 K to 115 °C
Accuracy at 37 °C target temperature *	±0.5 K	not applicable
Uniformity at 37 °C target temperature*	±0.5 K	not applicable
Ambient temperature	15 °C to 32 °C	15 °C to 32 °C
Weight	310 g	420 g
Dimensions W x D x H (mm)	132 x 89 x 40	134 x 91 x 19
Max. input heating mode	24 Vdc / 4 A	24 Vdc / 4.8 A

* data refer to flat bottom plate at 22 °C ambient temperature



8900029: MTC Compact
8900031: Single TEC Control (STC)
8900030: Multi TEC Control (MTC)

Alternatives

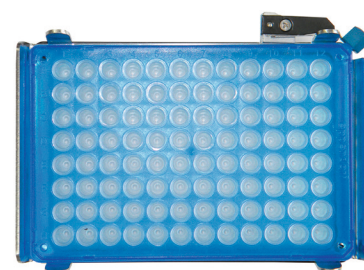
The HeatPAC can control temperatures above ambient temperature. For heating with accelerated (active) cooling or cooling below ambient temperature please refer to our heating & cooling product range (CPAC) and the respective brochure.

Controller and accessories

For single HeatPAC units, the power supply and temperature setting/control is performed through the INHECO Single TEC Control unit (STC). For multiple (up to six) INHECO heating & cooling units – incl. HeatPAC – an INHECO Multi TEC Control unit (MTC, with display) or MTC Compact (no display) is used and each device is controlled individually. A slot module is required to connect the HeatPAC to the STC/MTC.

For optimal temperature transfer an adapter is always needed. On our website, you will find a list of existing adapter variants for a broad range of disposables with or without insulation. In case you need an adapter for your disposable which is not yet on the list, we offer to custom design and manufacture it on request.

For heating & cooling solutions we refer to the INHECO CPAC.



7900046 Footprint of HeatPAC with positioning frame

Verification plate

INHECO offers a compact and precise measurement plate (IMP) in ANSI/SLAS (formerly SBS) format for verification of temperature and/or shaking performance. The IMP can be used on heating, cooling, shaking devices and inside incubation chambers. We refer to the IMP brochure for more information.

Product	Part No.	Dimensions W x D x H (mm)	Weight	Temperature range
IMP	7901000	87.5 x 128 x 14.9	100 g	4 °C to 60 °C



7901000: INHECO Measurement Plate (IMP)

Accessories

Product	Part No.
MTC Compact	8900029
Multi TEC Control (MTC)	8900030
Single TEC Control (STC)	8900031
Black Slot Module	2400125

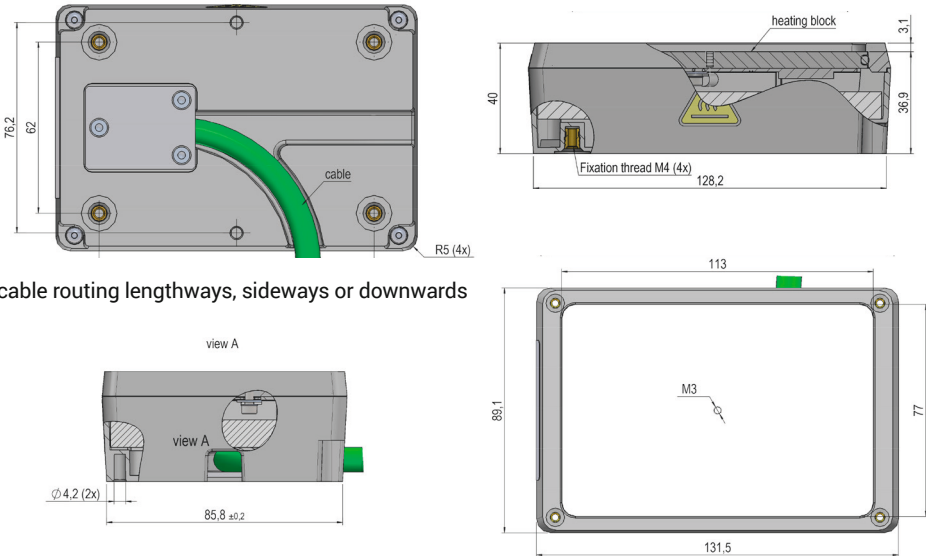
Adapter plates*

Product	Part No.
Flat bottom adapter	7900016
Micro plate 96 PCR	3200203
Micro plate 384 PCR	3200204

* Over 100 adapters are available for perfect fit of a wide range of disposables. They are listed on our website. We also customize upon request.

Visit us on www.inheco.com

Drawings HeatPAC



cable routing lengthways, sideways or downwards

Drawings Heated Lid

