

# DS6 PRO

Reflector diameter



60 cm

Tracking speed



up to 50°/s

SIM LTE



available



## *Maritime TVRO antenna for seamless TV reception with 60 cm diameter dish and 3-axis motion system.*

EPAK DS6 PRO is the right choice for those who want a reliable and powerful television reception system on board, keeping an eye on the dimensions of the antenna. With its 60 cm diameter dish, the DS6 PRO offers you a seamless signal reception and can face the toughest weather conditions while moving in open seas.

Its contained dimensions allow you to use the DS6 PRO on almost every kind of vessel and the implementation of our Diversity Kit is the perfect solution for getting rid of all bothering blind spots.

Storing a large variety of different satellites, the DS6 PRO is the maritime satellite system that brings TV entertainment to your boat: in your language and wherever you want.



### **Small dimensions**

Rugged and reliable, the DS6 PRO is indeed extremely light-weighted and its very contained dimensions fit the needs of even the smallest boats.

### **SIM LTE**

You can insert two local SIM cards into the antenna's control unit to access low-cost, high-speed Internet when a 3G/4G network is available.

### **Easy installation: no crane needed**

Due to its restrained weight, the DS6 PRO can be easily transported and refitted.

### **No more blind spots**

EPAK Diversity Kit combines the free line of sight ranges of two antennas in one bundle. That will prevent nearly any loss of satellite signals through blockades.

### **Sensor-based satellite reacquisition**

Instant relock feature after passing obstacles like bridges, buildings, trees etc.

### **All your favourite channels**

A large variety of satellites can be remotely stored by the user at anytime through the antenna Web Interface, allowing you to watch all your favourite TV programs in your language.

### **Multi-user kit**

Through connection of multi-user kits an unlimited number of TV places can be served.

## **KEY FEATURES:**

- 3-axis motion system + auto skew
- Elevation range from -15° to +120°
- Tracking speed up to 50°/s per axis
- LTE Plug & Go SIM cards
- LEO, MEO, GEO tracking supported
- Easy to install
- Quattro LNB, for connecting as many receivers you want
- High-quality material for operating even under the hardest conditions
- Unlimited azimuth range (no cable unwrap)

Feed Subsystem	
Reflector diameter	60 cm (23.6")
Minimum E.I.R.P.	46 dBW
LNB	Universal Linear (LOF 9.75/10.6 GHz) or High-band Circular (LOF 10.75 GHz) or other LNB on request
LNB type	Quattro
Frequency	10.7 - 12.75 GHz
Antenna gain	36.3 dBi @ 12.5 GHz
Position acquisition	Internal GNSS (GPS / Glonass / Galileo / Beidou / QZSS)
Tracking receiver	Internal, 950 - 2150 MHz; BW 0.5 - 50 MHz

Drive Subsystem	
Tracking technology	Twin RF tracking receiver + 6D inertial + GNSS (NMEA input optional)
Maximum tracking speed	50°/s (each axis)
Azimuth range	Unlimited
Elevation range	-15° to +120°
Skew movement	Automated -120° to +120°
Cross level range	-45° to +45°

Maximum ship motion	<ul style="list-style-type: none"> <li>Roll ±40° @ 6 sec</li> <li>Pitch ±30° @ 6 sec</li> <li>Yaw ±15° @ 6 sec</li> </ul>
Ship motion (for stabilization accuracy tests)	<ul style="list-style-type: none"> <li>Roll ±30° @ 10-12 sec</li> <li>Pitch ±20° @ 8-10 sec</li> <li>Yaw ±8° @ 15 sec</li> </ul>

Motion system	3-axis + auto skew
---------------	--------------------

Miscellaneous	
Lock on time	Typ. 20 sec
Satellite acquisition	Completely automated by DVB-S2 & SatFingerprint technology
Satellite positions	Customizable through webinterface or control panel
Satellite selection	Manually via Control Unit or through web interface
EPAK® Diversity-Kit compatible	✓
Operating temperature	-20°C to 55°C
Storage temperature	-30°C to 85°C

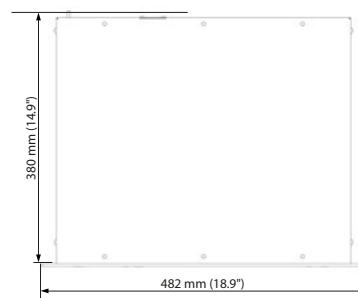
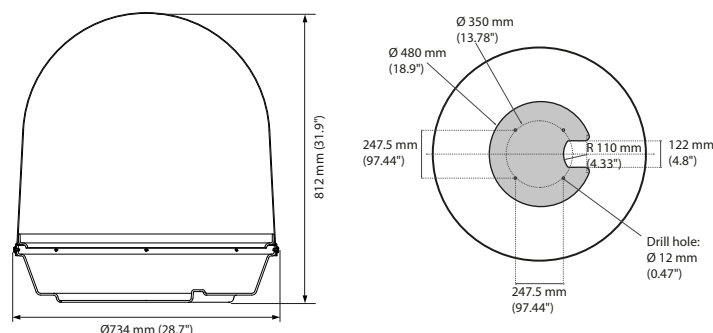
Power Specifications	
Power supply	48 V DC (supplied by ACU)
Power consumption	160 VA

Dimensions and Weight	
Radome (D x H)	73 cm x 81 cm (28.74" x 31.88")
Weight (incl. radome)	50 kg (110.23 lbs)

Shipping dimensions	
Box type	Cardboard box
Dimensions - gross weight	78 cm x 78 cm x 101 cm - 58 kg (30.71" x 30.71" x 39.76" - 127.87 lbs)

Antenna Control Unit	
Dimensions (WxHxD)	48.2 cm x 4.4 cm x 38 cm (18.9" x 1.7" x 14.9") (19" Rack 1HU size)
Weight	5.1 kg (11.24 lbs)
Gyro interface	NMEA0183 / NMEA2000 (via RS422 or RS485 or RS232) / SIMRAD RGC11
Input voltage, frequency	90~264 V AC, 47~63 Hz
Interfaces	<ul style="list-style-type: none"> <li>1x NMEA [2 wire]</li> <li>1x R232 [RJ45]</li> <li>1x RS422 (open BMIP) [RJ45]</li> <li>1x Ethernet front [RJ45]</li> <li>3x Ethernet back</li> <li>1x USB front</li> <li>1x USB back</li> <li>2x GPIO (opt.)</li> </ul>
Local user interface	256x64px OLED-Display, 3 Status-LEDs, 6 Push-Buttons
Remote access	TCP / IP
Position acquisition	Supplied by ODU
Operating temperature	-20°C to 55°C
Storage temperature	-40°C to 85°C
Humidity	According to IEC 60945
IP class	IP 30
Compass safe distance	0.5 m according to IEC 60945

## Radome and ACU Dimensions



**EPAK® GmbH**

Spinnereistr. 7

04179 Leipzig, Germany

Phone +49 (0) 341 2 12 02 60

Fax +49 (0) 341 2 12 02 66