



## medifa 7000

Mobile  
Operating Tables



we care.

# Advantages at a glance

- With up to three electrical driven joints
- Height adjustment from 580 mm up to 1,100 mm
- Motorised drive by means of fifth castor can be integrated
- Electrical leg rest adjustment, single or parallel
- Optional with longitudinal sliding
- Battery operated back up system can be integrated
- Optimal decubitus prevention due to 80 mm strong upholsteries
- Optimal cleaning and disinfection conditions
- User-friendly control concept
- Suitable for numerous applications and patient positionings
- Suitable for x-ray and c-arm applications
- Wide range of accessories for all surgical disciplines
- Maximum permissible overall load up to 544 kg (1,200 lbs)



# Functionality and ergonomics



## Motorised drive

- The motorised drive facilitates the positioning of the operating table before and after the surgery (optional, art.-no. 70645)
- Additional handles with a precisely adjustable speed regulator ensure safe and ergonomic patient transport (optional, art.-no. 71570)



## Electrical leg rest adjustment

- Enables careful and variable positioning of the patient
- Single or parallel adjustment of leg rests from  $-90^\circ$  up to  $+80^\circ$
- Function also applicable for electrical adjustment of back rest in reverse positioning of patient (perfect for shoulder arthroscopy)



## Quick and easy handling

- Special coupling points ensure quick and easy locking of the attachment segments and provide an ergonomic workflow



## Hygiene and comfort

- Fixing and removing of upholstery elements by means of pin system
- Particularly hygienic and easy to clean (no Velcro fastenings)
- Viscoelastic SF upholstery (H=80 mm) combines penetration protection and pressure relief
- Electrically conductive and radiolucent

# Control concept



- Colour display with battery indicator
- Navigation and acknowledgement keys
- Reverse-Mode
- Release of stabilization cylinder
- Electronic drive
- Positioning keys
- Activation of hand switch
- Stop-Key
- Leveling

1. Standard: Backlit hand switch with integrated colour display and battery indicator (optional: additional wireless infrared remote control, art.-no. 704070, not retrofittable)
2. Standard: Additional control unit at the column
3. Optional: Back-up system that ensures functionality of operating table's brake and basic functions in case of an electronic defect (optional, art.-no. 70655, not retrofittable)
4. Optional: Foot switch for height, lateral and Trendelenburg adjustment (art.-no. 704060)





**Mobile Operating Table**  
**Art.-no 700200**

- Height adjustment from 580 to 1,100 mm (with additional longitudinal sliding from 600 to 1,120 mm)
- Trendelenburg adjustment from -30° up to +30°
- Lateral tilt up to 20°
- Back rest adjustment from -45° up to +80°
- Single or parallel electrical adjustment of leg rests from -90° to +80°
- Possibility of reverse mode
- Flex / Reflex position by hand switch and control unit at column
- Automatic simultaneous leveling of lying surface
- Hand switch and control unit at column for electric adjustments
- Floor locking by 4 extendible stabilization cylinders between the double swivel castors
- Viscoelastic SF upholsteries with memory effect, h = 80 mm, electrically conductive, detachable, radiolucent
- Exchangeable back section segments
- Maximum permissible overall load: 544 kg (1,200 lbs)

**Further models:**

- Art.-no. 700300**  
Additionally with electrical adjustment of upper back rest and kidney bridge
- Art.-no. 71640**  
Optional: Longitudinal sliding of table top up to 380 mm



- Height adjustment from 580 up to 1,100 mm
- Possibility of patient positioning in reverse mode
- Large X-ray areas in the lying surface guarantee optimal use of C-arms

**Configuration example**

- Art.-no. 700200**  
Mobile electric operating table
- Art.-no. 71640**  
Longitudinal sliding
- Art.-no. 71144**  
Head rest
- Art.-no. 71250\_2**  
Upper back rest
- Art.-no. 71615**  
Divided leg rests
- Art.-no. 61220SF**  
Arm rest

**Price on request!**

**Specialities**

- Bariatric Surgery
- Orthopaedics
- ENT
- Ophthalmology
- Gynaecology
- Urology

# Models

# Positioning examples



	Range	700200	700300
Height adjustment	580 - 1,100 mm	●	●
Trendelenburg	-30° / +30°	●	●
Lateral tilt	-20° / +20°	●	●
Lower back rest adjustment	-45° / +80°	●	●
Upper back rest adjustment	-40° / +50°		●
Kidney bridge	120 mm		●
Flexion		●	●
Longitudinal sliding (71640)	up to 380 mm	◆	◆
Leg rest adjustment	-90° / +80°	●	●
Single leg rest adjustment	-90° / +80°	●	●
Simultaneous leveling		●	●
Electronic drive (70645)		◆	◆
Central brake (Stabilization cylinder)		●	●
Maximum permissible overall load		544 kg	544 kg

● Electric ◆ Optional



**Thoracic and kidney surgery**  
with head ring, arm rests, body supports and leg positioning tunnel



**Gallbladder surgery**  
with anaesthesia screen, arm restraint cuff, bottom roll and heel pads



**Spinal surgery**  
with rectal positioning device, rectoscopy roll, arm rests and head positioning pad



**Urology and gynaecology**  
with leg rests and head positioning pad

# Positioning examples



## ENT and Ophthalmology

with foot switch, horseshoe shaped head rest with joint arm, bottom roll and heel pads



## Minimally invasive surgery

with head positioning pad, arm rests, leg straps, heel pads and foot plates



## Shoulder arthroscopy

with tripartite back rest, head support, arm rest and heel pads



## Knee arthroscopy

with head ring, arm rest, knee positioning device and heel pads



## Neurosurgery

with bottom roll, arm rests, head positioning pads and skull clamp system



## Gastric banding

with head ring, arm rests and heel pads



## Orthopaedics

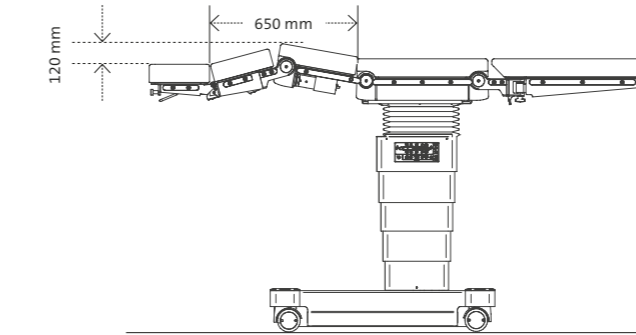
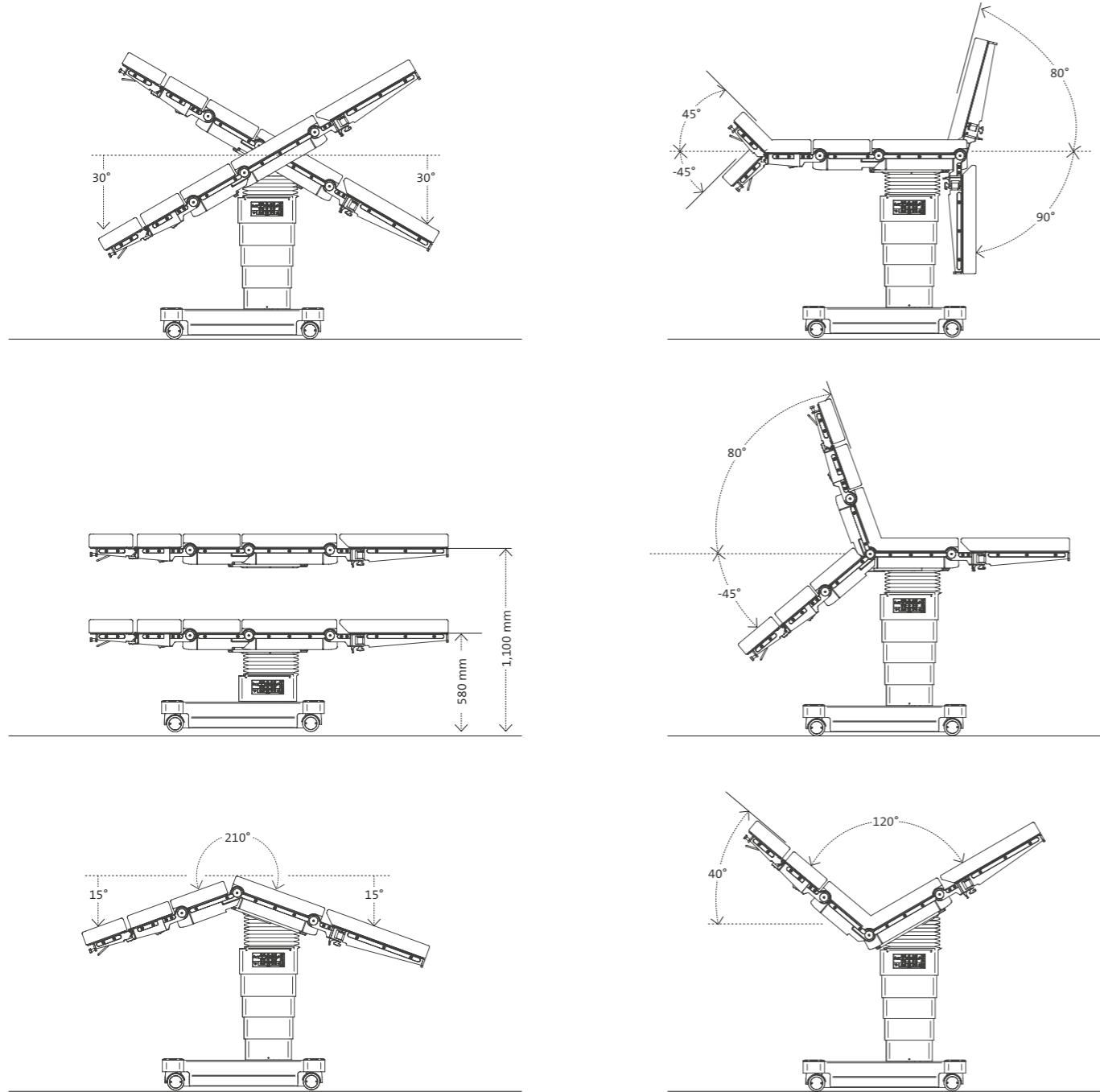
with extension device and head ring



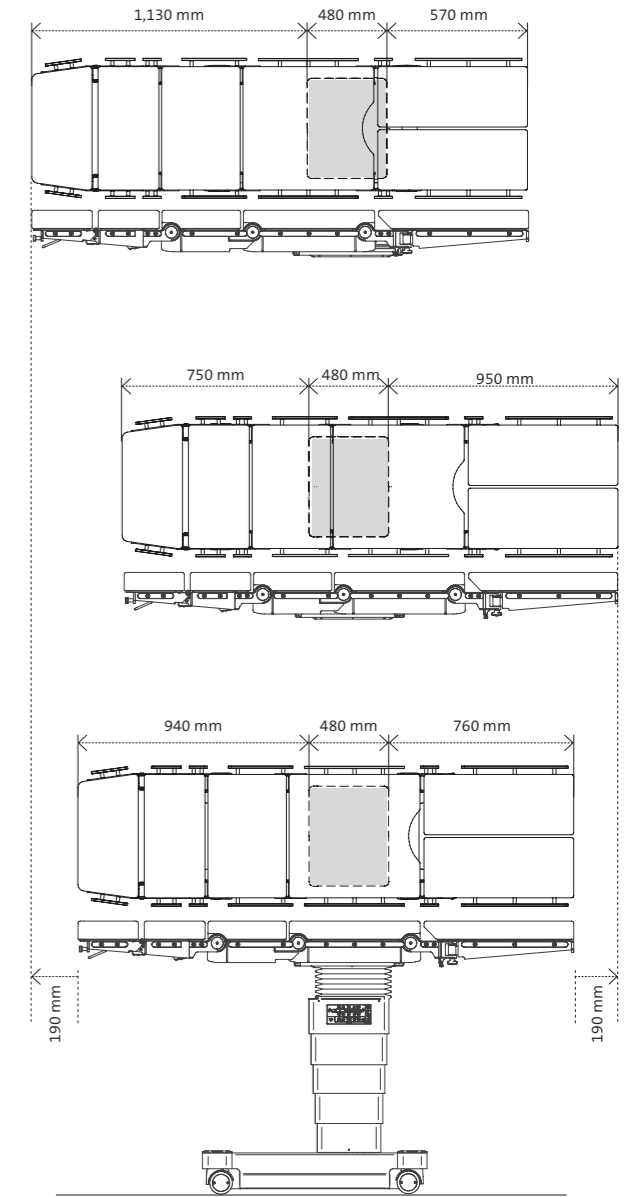
## Arm and hand surgery

with arm extension device and Weinberger hand cuff

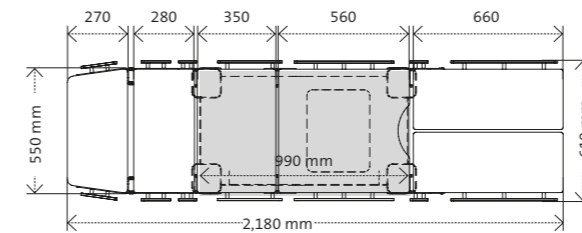
# Technical information



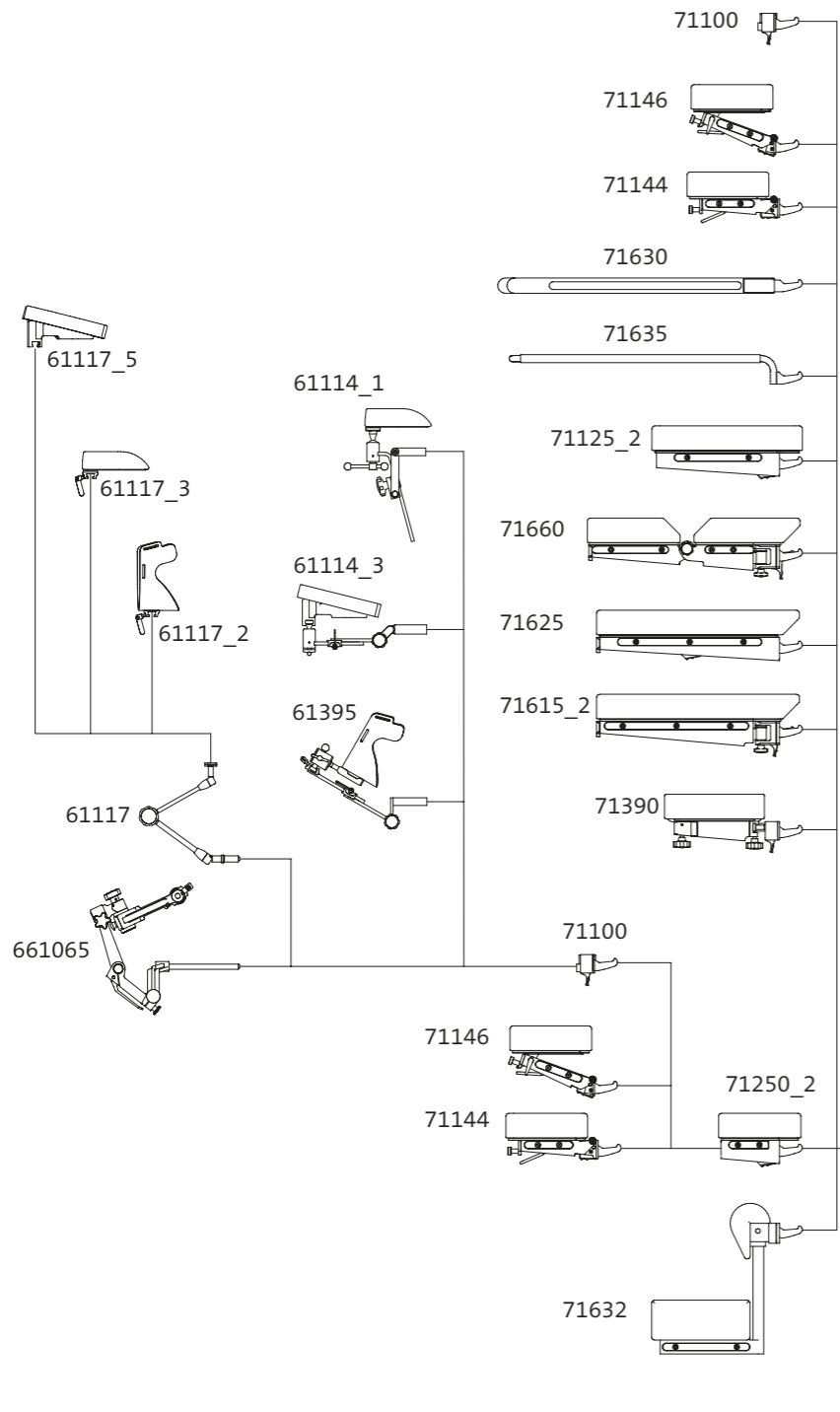
## Longitudinal sliding of table top (optional)



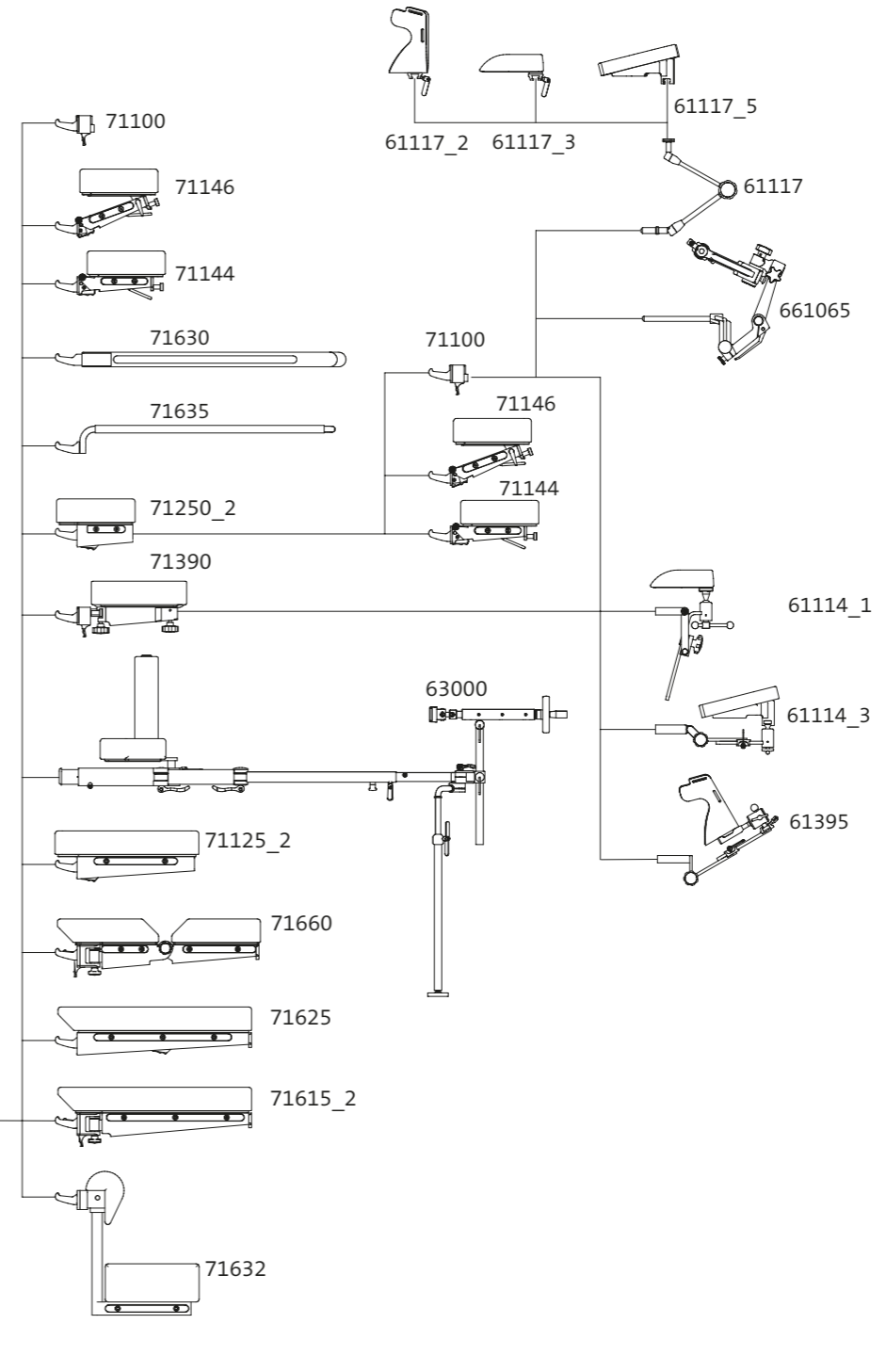
## Ground plan







# Configuration



# Accessories for medifa 7000



## Head rest for medifa 7000

### Art.-no. 71144

- Easy adjustment by means of gas spring from -45° to +45°
- Docking and undocking at back rest
- Radiolucent
- L x W: 266 x 550 mm
- Viscoelastic SF upholstery, H = 80 mm, electrically conductive, detachable



## Head rest for medifa 7000

### Art.-no. 71146

- Easy adjustment by means of gas spring from -45° to +45°
- Double joint enables additional tilting
- Docking and undocking at back rest
- Radiolucent
- L x W: 266 x 550 mm
- Viscoelastic SF upholstery, H = 80 mm, electrically conductive, detachable



## Head-end rail

### Art.-no. 71148

- Additional rail at head rest
- Length: 300 mm
- Material: Stainless steel
- Suitable for: 71144, 71146
- Piece



## Side rails at head rest

### Art.-no. 71149

- Additional side rails at both sides of head rest
- Length: 160 mm
- Material: Stainless steel
- Suitable for: 71144, 71146
- Pair



## Upper back rest for medifa 7000

### Art.-no. 71250\_2

- Docking and undocking at lower back rest
- Radiolucent
- L x W: 268 x 550 mm
- Viscoelastic SF upholstery, H = 80 mm, electrically conductive, detachable
- Integrated side rails (EU)



## Tripartite back rest for medifa 7000

### Art.-no. 71390

- Incl. head rest
- Easy access to shoulder area by means of three detachable segments
- Docking and undocking at lower back rest
- Radiolucent
- L x W: 320 x 550 mm
- Viscoelastic SF upholsteries, H = 80 mm, electrically conductive, detachable

# Accessories for medifa 7000



## Pelvis section extension for medifa 7000

### Art.-no. 71125\_2

- Extension of pelvis section by 400 mm
- With cut-out
- Radiolucent
- L x W: 400 x 550 mm
- Viscoelastic SF upholstery, H = 80 mm, electrically conductive, detachable
- Integrated side rails (EU)



## Leg rest for medifa 7000

### Art.-no. 71625

- Electrically adjustable
- Docking and undocking at pelvis section
- Radiolucent
- L x W: 660 x 550 mm
- Viscoelastic SF upholstery, H = 80 mm, electrically conductive, detachable
- Integrated side rails (EU)



## Divided leg rest for medifa 7000

### Art.-no. 71615\_2

- Electrically adjustable
- Swivelling up to 180°
- Docking and undocking at pelvis section
- Radiolucent
- L x W: each 660 x 266 mm
- Viscoelastic SF upholsteries, H = 80 mm, electrically conductive, detachable
- Integrated side rails (EU)
- Pair



## Double divided leg rest for medifa 7000

### Art.-no. 71660

- Electrically adjustable
- Swivelling up to 180° and bendable
- Docking and undocking at pelvis section
- Radiolucent
- L x W: each 662 x 266 mm
- Viscoelastic SF upholsteries, H = 80 mm, electrically conductive, detachable
- Integrated side rails (EU)
- Pair



## Carbon positioning rest for medifa 7000

### Art.-no. 71630

- Incl. upholstery
- For intraoperative x-ray, optimal radiolucency (360°)
- Docking and undocking at pelvis section or lower back rest
- L x W: 750 x 540 mm
- Viscoelastic SF upholstery, H = 70 mm, electrically conductive, detachable



## Transfer leg rest for medifa 7000

### Art.-no. 71635

- For short-time positioning of legs
- Docking and undocking at pelvis section
- Radiolucent
- L x W: 900 x 500 mm

# Accessories for medifa 7000



## Extension segments

**Art.-no. 61355SF**

- For extension of the operating table's lying surface
- Integrated side rails (EU)
- L x W: each 310 x 110 mm
- Viscoelastic SF upholsteries, H = 70 mm, electrically conductive, detachable
- Suitable for all operating tables with viscoelastic foam upholsteries
- Pair



## Foot switch for medifa 7000

**Art.-no. 704060**

- Additional control unit to adjust the main functions height, lateral and Trendelenburg movement
- Tethered



## Infrared remote control for medifa 7000

**Art.-no. 704070**

- Wireless data transfer
- Control panel for all electric functions of operating table
- Incl. charging station



## Longitudinal sliding for medifa 7000

**Art.-no. 71640**

- Electrical longitudinal sliding of table top up to 380 mm
- Changes lowest height of operating table from 580 mm to 600 mm
- Cannot be retrofitted!



## Motorised drive

**Art.-no. 70645**

- Motorised fifth castor for manoeuvring and positioning of operating table
- Cannot be retrofitted!



## Hand grips for motorised drive

**Art.-no. 71570**

- For manoeuvring and positioning of operating table by means of electronic drive at operating table's head end
- With integrated speed control
- Material: Stainless steel
- Suitable for: 70645

# Accessories for medifa 7000



## Back-up system for medifa 7000

Art.-no. 70655

- System ensures the operability of operating table's basic functions (height, lateral, Trendelenburg and brakes) in case of electronic defect by means of 24V battery
- Cannot be retrofitted!



## Radiographic cassette carrier for medifa 7000

Art.-no. 71643

- To insert radiographic cassettes under table top of operating table
- With telescopic rod
- L x W x H: 470 x 385 x 16 mm
- Suitable for radiographic cassettes with dimensions 14" x 17" (US)
- Material: Stainless steel
- Suitable for: 71642\_2, 71642\_3



## Radiographic cassette tunnel for 700200

Art.-no. 71642\_2

- To insert radiographic cassette carrier



## Radiographic cassette tunnel for 700300

Art.-no. 71642\_3

- To insert radiographic cassette carrier

# Additional accessories

A wide range of optional accessories complements the application spectrum of our operating tables.

For central storage of accessories we offer a trolley (art.-no. 341045) made of polished stainless steel.

Further accessories can be found in our brochure "Accessories for operating tables".



# medifa

**The medifa healthcare group unites competence concerning operating rooms under one roof.**

medifa is an owner-run and internationally active complete solution provider in the medical technology.

The product and service portfolio covers all operating room requirements from modular wall, door, ceiling and cabinet systems (RooSy® Room Systems) for the turnkey operating room, as well as operating tables with accessories, operating lights right up to special construction solutions and medical furniture. In addition, one of

the largest German OEM suppliers in the medical technology sector also belongs to medifa.

medifa GmbH & Co. KG (Finnentrop), medifa hygienic rooms GmbH (Ötigheim) and medifa metall und medizintechnik GmbH in Rastatt are all part of this group of companies. The medifa healthcare group employs approximately 350 employees at three locations within Germany. The planning, engineering and production take place exclusively in Germany,

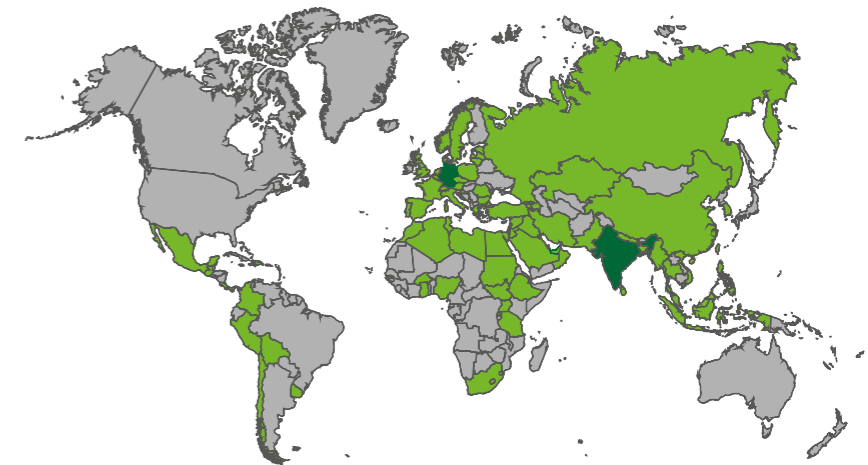
and with over 80% added value in the group of companies, the group guarantees fast reaction times.

The slogan "we care" means for us that we consistently orientate ourselves according to the requirements of our customers. Customers all over the world can rely on top-class consultation, processing and quality from a single source, made in Germany according to certified national and international quality standards.

## Products

- Modular operating room systems (RooSy)
- Operating lights (H!Light)
- Mobile carbon tables for minimally invasive applications
- Operating tables and accessories
- Examination and treatment chairs
- Medical furniture and trolleys
- Customized medical solutions

## medifa worldwide



we care.



Version 01-21-EN

Subject to modifications due to technical development.  
This document is intended to provide information to an  
international audience outside of the US.

[www.medifa.com](http://www.medifa.com)

we care. Code



**medifa GmbH & Co. KG**

Industriestraße 5  
57413 Finnentrop

Germany

fon +49 2721 71 77 -0

fax +49 2721 71 77 -255

[info@medifa.com](mailto:info@medifa.com)

we care.