

Echo



Care Relax \

The ideal chair for reading, watching TV or just relaxing. Budget friendly entry model that can be operated independently. Geriatric recliner, offering excellent seating comfort (ideal for use in elderly care settings). The sitting height and the armrests make sitting down and standing up from a seated position easier.

What makes the Echo Care Relax so unique? \

- \ \ User-friendly
- \ \ Different side panels
- \ \ Excellent balance between price, comfort and quality

Subject to change without notice 2021-10, images shown are for illustration purposes only

OVERVIEW ECHO CARE RELAX



Armrests

Available with 7 different armrests, both open and closed and in different types of materials.

More information on page 4

Adjustment mechanism

2 different adjustment mechanisms are possible, both manual and electric. Available with or without leg support and optional (adjustable) footrest for Laguna without leg support.

More information on page 3

Frame & castors

Available with 4 different types of base, depending on the frame, castor size and braking method.

More information on page 4

Options & accessories

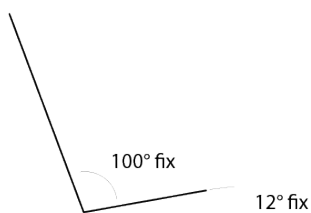
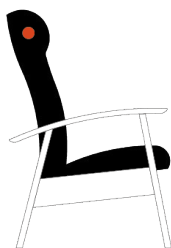
Echo Care Relax has a whole host of options and accessories to adapt the Care Relax to the user's needs.

More information on page 5

Subject to change without notice 2021-10, images shown are for illustration purposes only

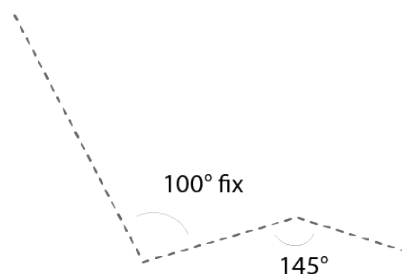
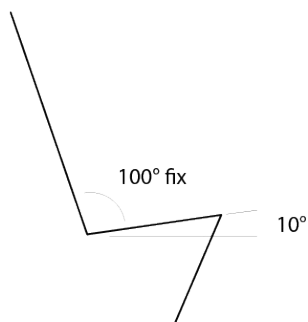
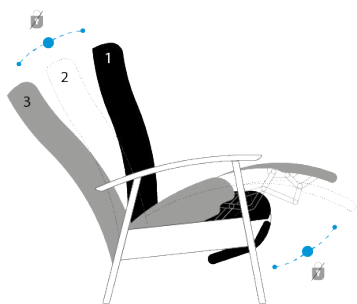
RECLINING MECHANISMS

VA

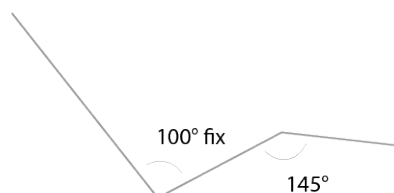


FIXED VERSION

Fixed, no adjustment mechanism or leg rest.
Optional: fixed or adjustable footstool.



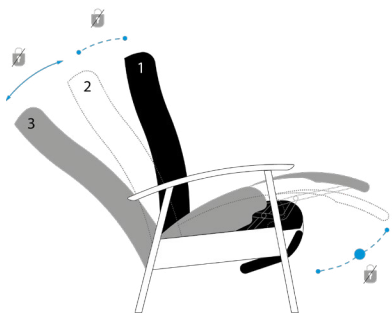
SR



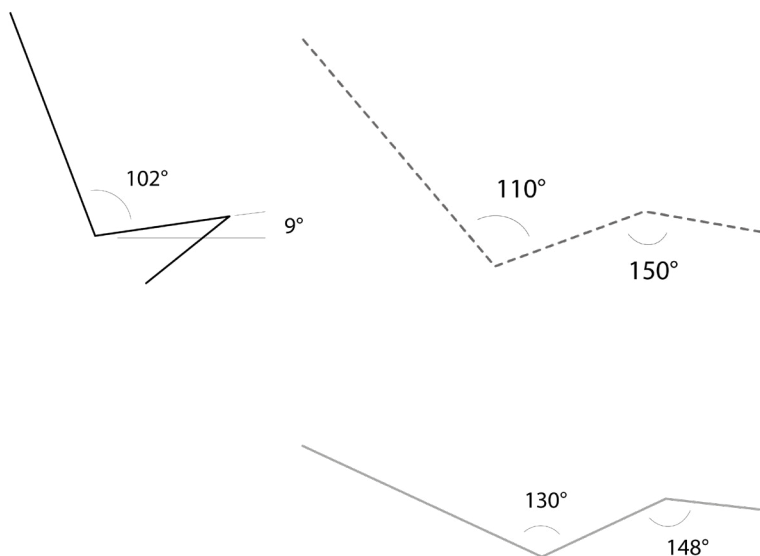
Seat and back can be adjusted with a fixed inclination angle.
Automatically folding leg rest.

Subject to change without notice 2021-10, images shown are for illustration purposes only

RECLINING MECHANISMS



2S



Adjustable seat, back and leg rest with automatically folding leg rest. Additional separate stepless adjustable back. The maximum angle between back and seat is 130° in the relax position.

Subject to change without notice 2021-10, images shown are for illustration purposes only

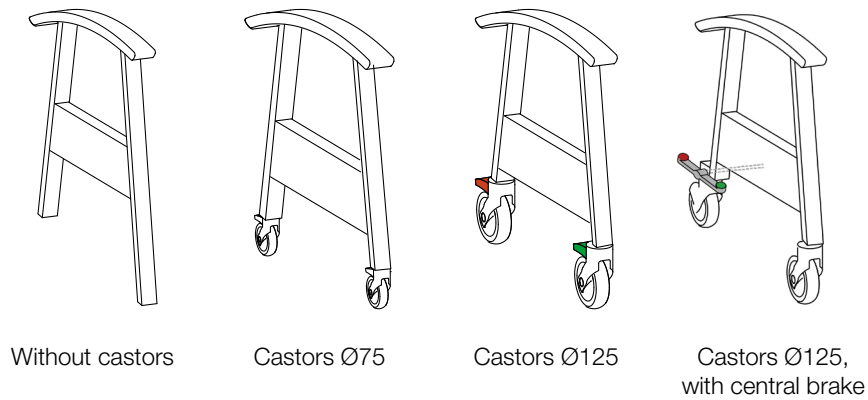
ARMRESTS

The Echo Care Relax can be equipped with various side panels/armrests: from a comfortable, fully upholstered armrest to an armrest that can be lowered out of the way. Depending on the type of armrest, it may also be possible to attach a tray.



FRAME & CASTORS








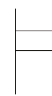



The following versions are possible:



Subject to change without notice 2021-10, images shown are for illustration purposes only

TECHNICAL FEATURES

DIMENSIONS

TYPE											
Echo	70-82	85 - 94	113	55	50	49	74	69 - 70	28 - 38	yes	★ ★ ★
Footstool fixed	53	43	43	-	-	-	-	-	4,1	yes	★ ★ ★
Footstool adjustable	53	43	43	-	-	-	-	-	4,2	yes	★ ★ ★

★ = domestic use / ★ ★ = project-based use / ★ ★ ★ = intensive project-based use

SEAT, BACK AND LEG REST

Seat, back and leg rest (except for the SR – which has no leg rest) are upholstered. Excellent seating comfort. The back consists of a plywood frame with elastic webbing and polyether foam. The seat is made of plywood with Nosag springs and HR foam. The leg rest upholstery runs up to the seat.

OPTIONS & ACCESSORIES

There are numerous options and accessories available for the Echo, including a tray, IV pole... Please have a look at our technical data sheets and product brochure.

Subject to change without notice 2021-10, images shown are for illustration purposes only

OVERVIEW OF MODELS



ECHO CLASSIC FIXED



ECHO CLASSIC
CASTORS Ø 75



ECHO CLASSIC
CASTORS Ø 125



ECHO HARMONY FIXED



ECHO HARMONY
CASTORS Ø 75



ECHO HARMONY
CASTORS Ø 125



ECHO WOOD FIXED



ECHO WOOD CASTORS Ø 75



ECHO WOOD CASTORS Ø 125

Subject to change without notice 2021-10, images shown are for illustration purposes only

OVERVIEW OF MODELS



ECHO COSY FIXED



ECHO COSY CASTORS Ø 75



ECHO COSY CASTORS Ø 125



ECHO COSY CASTORS Ø 125
CENTRAL BRAKE



ECHO FOREST FIXED



ECHO FOREST
CASTORS Ø 75



ECHO FOREST
CASTORS Ø 125



ECHO FOREST CASTORS Ø 125
CENTRAL BRAKE



ECHO FOREST NS
CASTORS Ø 125



ECHO FOREST NS
CASTORS Ø 125 CENTRAL BRAKE



ECHO HOSPITAL NS
CASTORS Ø 125



ECHO HOSPITAL NS
CASTORS Ø 125 CENTRAL BRAKE

Subject to change without notice 2021-10, images shown are for illustration purposes only