



medifa 4000 URO

Examination chairs
for urology



we care.

medifa 4000 URO

- Ergonomic and modern design
- Polished high quality stainless steel edition
- Optimal to clean and disinfect
- User friendly foot switch conception
- Additional hand switch with coloured display (400550/570)
- Accessible for handicapped and elderly people
- 12 memory positions/ 4 user accounts
- Time saving by simultaneous drive of engines (memory-positions)
- Various colouring possible
- Small footprint by compact construction
- Maximum permissible overall load of 200 kg



medifa 4000 URO

Examination and treatment chair

Art.-no. 400520

With the following electrical functions:

- Height adjustment
- Adjustment of pelvis section
- Adjustment of back section

Shown accessories:

Art.-no. 40023

Neck upholstery

Art.-no. 81726_1

Footrests „Comfort“ incl.
artificial leather cover

Art.-no. 91706

Collecting basin (ø 320 mm) with
rinsing device



Examination and treatment chair

Art.-no. 400550

With the following electrical functions:

- Height adjustment
- Adjustment of pelvis section
- Adjustment of back section
- Hand switch
- Memory function with three programmable positions for four operators

Shown accessories:

Art.-no. 40023

Neck upholstery

Art.-no. 40000

Powder coated base according to
RAL colour chart

Art.-no. 42000

Column cover made of
stainless steel

Art.-no. 81717

Leg holders according to Goepel incl.
artificial leather covering

Art.-no. 91706

Collecting basin (ø 320 mm) with
rinsing device



medifa 4000 URO

Examination and treatment chair

Art.-no. 400570

With the following electrical functions:

- Height adjustment
- Adjustment of pelvis section
- Adjustment of back section
- Adjustment of leg rests
- Hand switch
- Memory function with three programmable positions for four operators

Shown accessories:

Art.-no. 40023

Neck upholstery

Art.-no. 81726_2

Footrests incl. artificial leather cover

Art.-no. 91706

Collecting basin (ø 320 mm) with rinsing device



Basic Features

- Aluminium base and column cover powder coated, white (RAL 9010)
- Seat part and back rest frame made of polished stainless steel
- Electric movements controlled by easy operated cable foot switch
- Electric movements controlled by easy operated hand switch with colour display (Model 400550, 400570)
- Floor levelling screws for secure standing
- Upholstery with ergonomic form, 50 mm thickness
- Head and back upholstery prepared for neck upholstery with magnetic fixation
- Plastic covered backsides of upholstery parts
- Paper roll holder for paper rolls (up to 500 mm) at back rest
- Paper rollable over back rest and seat part, or just over seat part
- Mounting device for side rails (25 x 10 mm), hand grips as well as a fixation device for leg holder system acc. to Goepel
- Extendable, inclinable, detachable white plastic basin
- Safe working load: 200 kg
- Weight of the chair: approx. 110 kg
- Floor space required: 860 x 550 mm
- Power supply: 110/230 V / 50-60Hz , incl. 3 m cable



Models

Comfort and Elegance

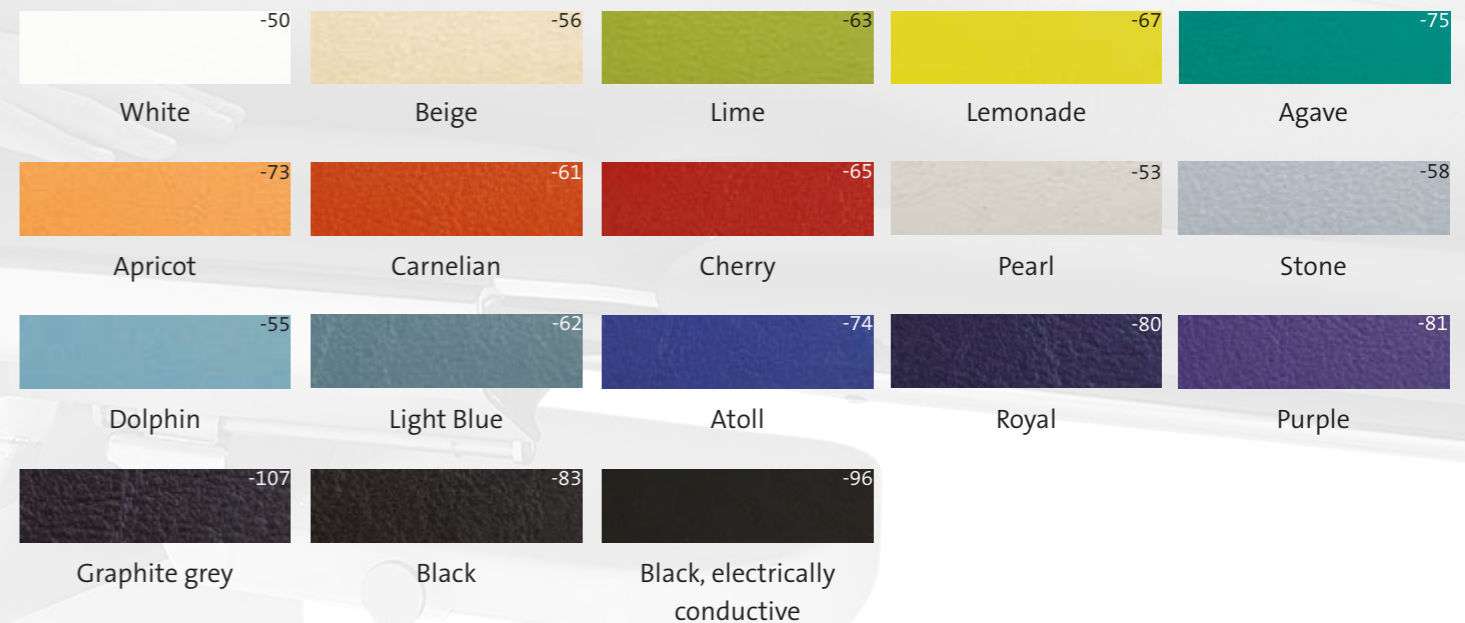


	Range	400520	400550	400570
Height adjustment	550-900 mm	●	●	●
Height adjustment by means of raising pelvis part	230 mm		550 -1130 mm	
Adjustment of pelvis section	+20°	●	●	●
Adjustment of back section	+50°	●	●	●
Leg holder adjustment	30°	■	■	●
Memory (12 positions)			●	●
Hand switch		◆	●	●
Flushing facility		◆	◆	◆
Maximum permissible overall load		200 kg	200 kg	200 kg

● Electrical ■ Manual ◆ Optional

Upholstery

- Ergonomic implementation of upholstery parts
- Rounded rough edges
- High quality artificial leather
- Seamlessly manufactured
- Optimal possibilities to clean and to disinfect
- Various colourings without any extra charge
- Incl. magnetic fixation for neck rest upholstery



Functionality and Design



Functionality and Design

Powered adjustment of height
from 550 up to 900 mm

Powered adjustment of leg holder
system up to 30°

Powered adjustment of
pelvis section up to + 20°

Powered adjustment of
back section up to +50°

Control concept

Learn more about the advantages of the medifa 4000 control concept using the model 400570 as an example.

- Only a few keys ensure simple and intuitive operation
- Control concept can be learned quickly thanks to the same symbols and colour scheme of the control units
- Colour display shows motion performed and selected user level (400550 and 400570 models only)
- Time saving due to synchronous running of the motors in memory mode
- Four user levels, each with three memory positions - ideal for multiple users
- All movements can be immediately stopped and executed again
- All three memory positions can also be activated directly via foot switch
- Collecting basin inflow controlled via foot switch

Illuminated colour display shows

- the current position,
- of the 4 available user modes,
- of the 3 memory positions

Double function key for

- preselection of the several functions
- preselection of memory positions M1 to M3

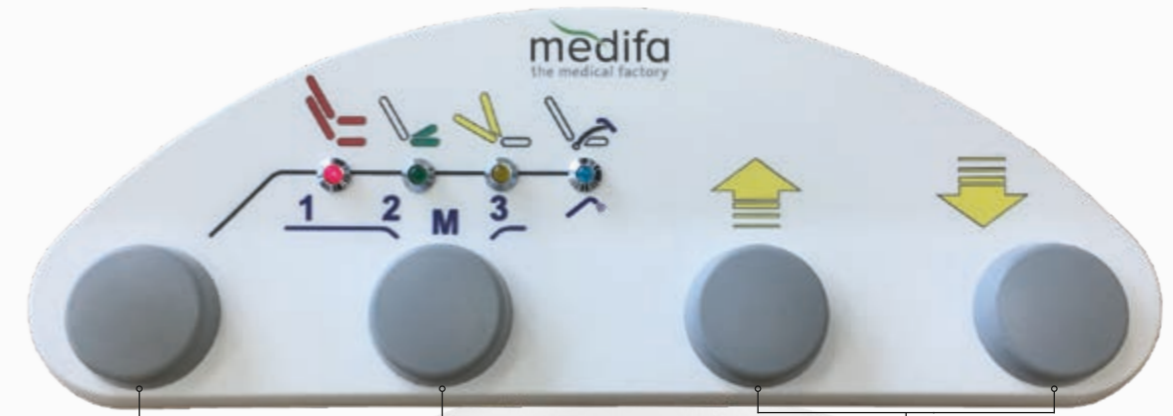
LED display shows selected function

Positioning keys for all functions

User selection key (4 users)

Activating a saved memory position

Saving a memory position



Double function key for

- preselection of the several functions
- preselection of memory positions M1 to M3

Activation of one of the three memory positions directly accessible by foot

Positioning keys for all functions

Exemplary workflow using the memory functions



Ascent and descent position

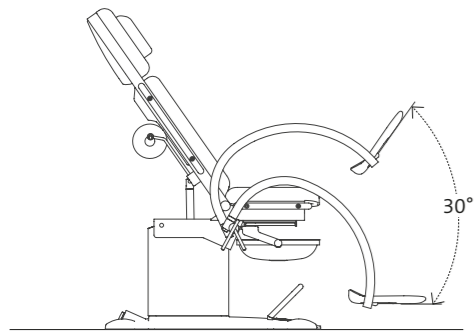
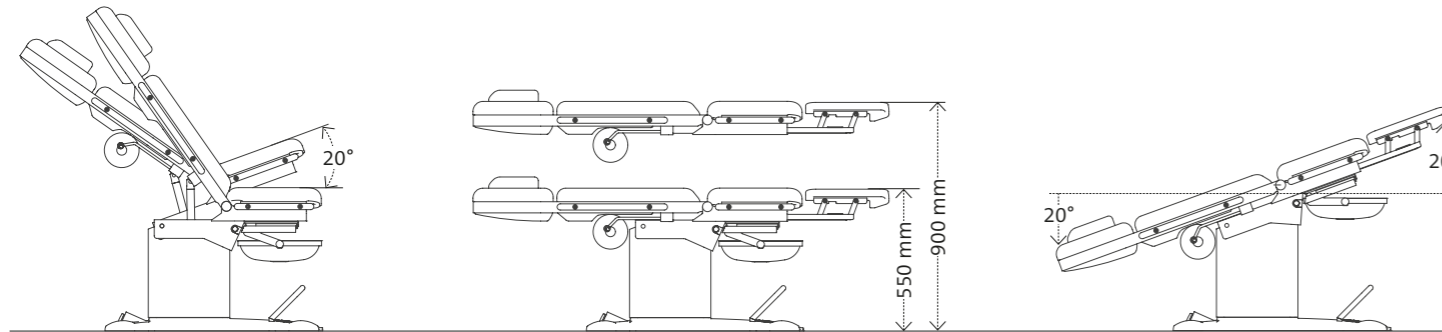
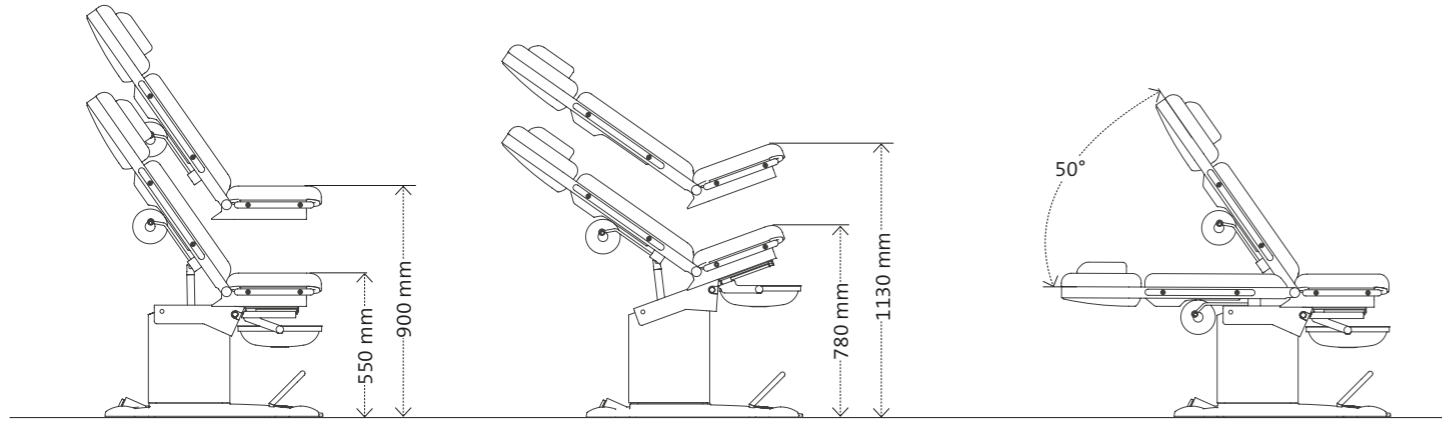


Urological examination position

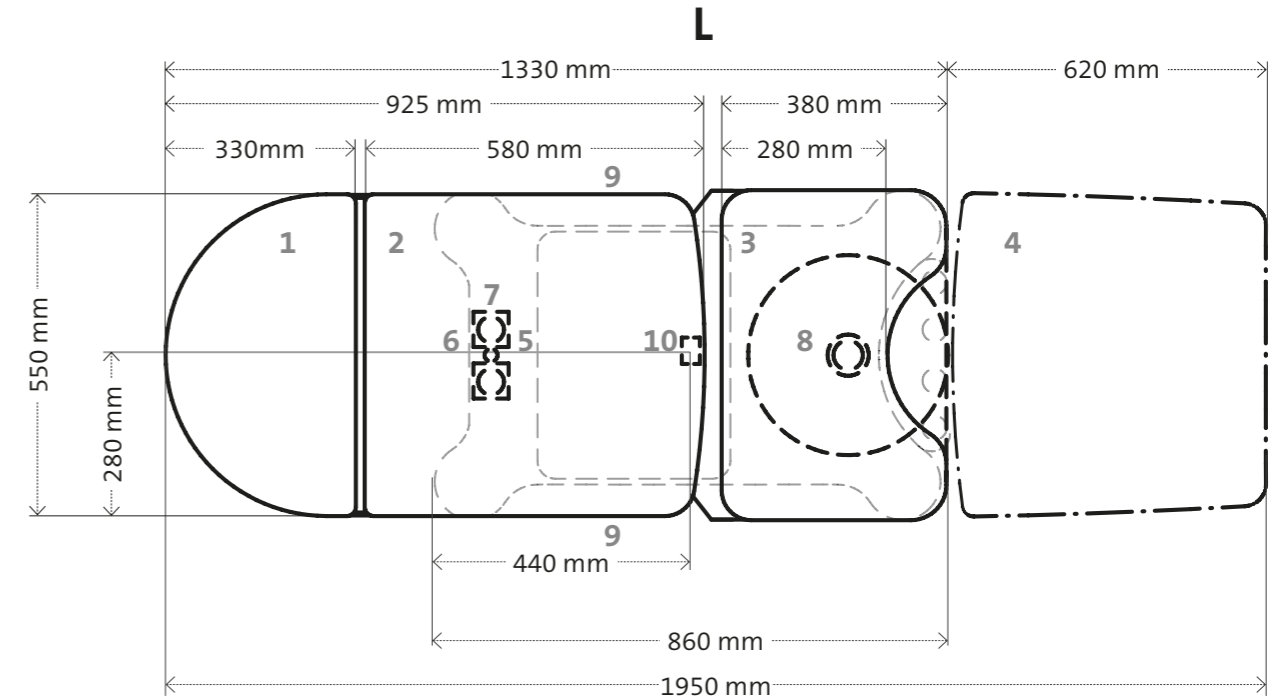


Urological treatment position

Technical Information



400570



1.	Head upholstery	7.	Socket at the base (accessory 40677)
2.	Back upholstery	8.	Rinsing device (Accessory 91706)
3.	Pelvis upholstery	9.	External water connection \varnothing 1/2", standard left-sided
4.	Leg plate (Accessory 400066)		Drainage hose \varnothing 40 mm
5.	Potential equalisation (Accessory 40678)	10.	Cable outlet for floor connection
6.	Power cable outlet		

Leg Holder Systems



Art.-no. 81726_1

Footrests Comfort (pair), with integrated hand grip function and artificial leather cover, for attachment at the chair's tothing elements

- Stepless, gas spring supported one-hand height adjustment
- Swivelling
- Grey foamed PUR footrests
- Not in combination with items 81072 and 82347_System



Art.-no. 81717

Leg holders according to Goepel (pair), with integrated hand grip function and artificial leather cover, for attachment at the chair's tothing elements

- Adjustment of leg holders by tothing elements at the chair
- Swivelling
- Grey foamed PUR footrests
- Stepless adjustment of the knee bolsters by ball joint
- Suitable for electric adjustment (400570)



Art.-no. 81726_2

Footrests (pair), with integrated hand grip function and artificial leather cover, for attachment at the chair's tothing elements

- Adjustment of footrests by tothing elements at the chair
- Swivelling
- Grey foamed PUR footrests
- Suitable for electric adjustment (400570)



Art.-no. 81705

Leg holder according to Goepel Comfort with grey foamed PUR knee bolsters (pair)

Art.-no. 85223

Side rails at pelvis section for accessory attachment (pair), l = 320 mm, only required for items 81705, 81700 and 81650

Art.-no. 81500

Clamps made of stainless steel, rotatable, for side rail attachment (pair)

Leg Holder Systems



Art.-no. 81700

Leg holders according to Goepel Classic with black foamed PUR knee bolsters (pair)

Art.-no. 81710

Additional charge for artificial leather cover of knee bolsters (only for item 81700) in upholstery colour



Art.-no. 400076

Leg plate for short horizontal positioning of the patient

- Complete insertion of the leg plate below the seat part
- Enlargement of the chair's lying surface up to 1670 mm
- Not in combination with items 400066, 91706 and 91767



Art.-no. 81650

Heel supports (pair) for fixation at side rail, made of stainless steel, without clamps



Art.-no. 400066

Leg plate for horizontal positioning of the patient

- Leg plate adaption by insertion below the seat part
- Enlargement of the chair's lying surface up to 1950 mm
- Not in combination with item 400076

Urological Accessories



Art.-no. 91706

Collecting basin (ø 320 mm) made of stainless steel with rinsing device, incl. odour trap and inspection access, inflow electromagnetically controlled via foot switch, not in combination with item 91762

Art.-no. 91707

Catching filter for insertion into collecting basin

Art.-no. 91716

Hanging up rack beside the chair for collecting basin or uroflow system



Art.-no. 91760

Holder for urodynamics patient unit, Albyn Medical „Smartdyn“, for side rail attachment

Art.-no. 91762

Holder for uroflow system, incl. rack for chair attachment, not in combination with items 91706, 91617, 400076 and 81072_200

Art.-no. 91763

Same as 91762, but can be combined with item 91706 or 91617



Art.-no. 91617

Stainless steel disk (ø 320mm), with outlet and tube, not in combination with item 91762

Art.-no. 91608

Bucket made of stainless steel, volume 12 litres, incl. lid with tube-inlet

Art.-no. 91766

Attachable upholsteries for enlargement of seat part for uro dynamic, dimensions (l x w): 170 x 150 mm, not in combination with item 400076



Art.-no. 91765

Uro dynamic seat cushion with central drainage channel

Art.-no. 91767

Drainage pan made of stainless steel with tube, not in combination with item 400076

Standard Accessories



Art.-no. 40677
Socket at the base, 2 pieces
(cannot be retrofitted)



Art.-no. 40678
Potential equalisation socket at
base (cannot be retrofitted)

Art.-no. 40018
Doctor's foot rest made of stainless
steel, not in combination with items
81047_200, 91762 and 91763



Art.-no. 40898
Mobility for examination chair,
consisting of 4 double leading castors,
 $\phi = 75$ mm, lockable, electrically
conductive, not for patient transfer

Art.-no. 40046
Hand switch for control of height
adjustment, pelvis section adjustment
and back section adjustment (only for
item 400520, cannot be retrofitted)

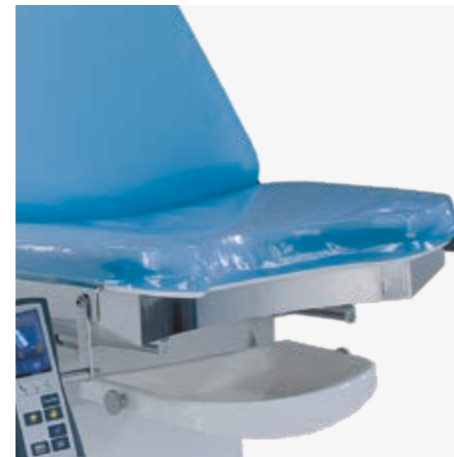


Art.-no. 42000
Column cover made of polished
stainless steel



Art.-no. 40000
Additional charge for powder coated
base according to RAL colour chart

Art.-no. 41000
Additional charge for powder coated
cover of the column according to RAL
colour chart



Art.-no. 40020
PVC-protective cover for
pelvis part upholstery



Art.-no. 85222
Side rails at back section for accessory
attachment (pair), l = 600 mm

Art.-no. 85223
Side rails at pelvis section for accessory
attachment (pair), l = 320 mm, only
required for items 81705, 81700 and
81650

Standard Accessories



Art.-no. 81043
Storing bowl made of stainless steel, dimensions: L x W x H: 325 x 265 x 65 mm



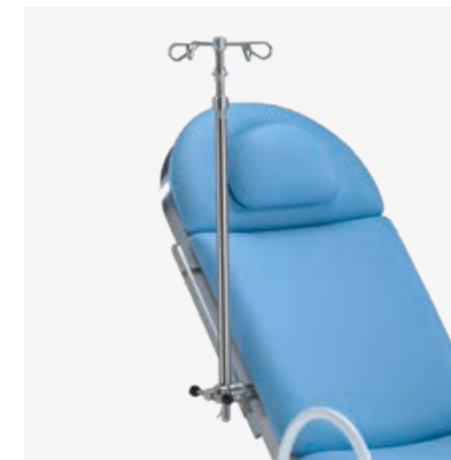
Art.-no. 81044
same as 81043, but with dimensions (L x W x H): 325 x 176 x 65 mm

Art.-no. 28530
Hand grips, white RAL 9010 (pair), not in combination with items 81717, 81726_1 and 81726_2

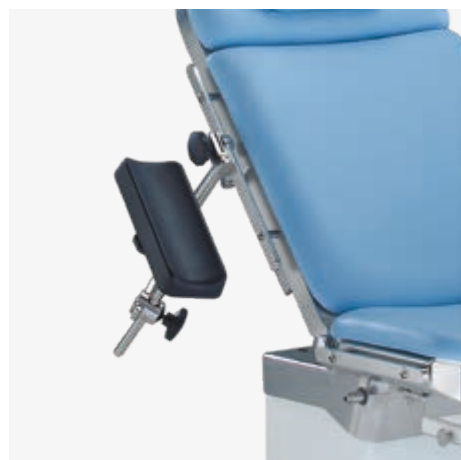
Art.-no. 28531
Additional charge for artificial leather cover of handgrips in colour of upholstery (pair)



Art.-no. 40023
Neck upholstery, incl. magnetic fixation



Art.-no. 81805
Infusion rod for side rail attachment, stainless steel, incl. rotatable clamp



Art.-no. 61211
Arm rest, rotatable and tiltable by means of ball joint, height adjustable, horizontally slidable, upholstery electrically conductive, incl. clamp and fixture strap, dimensions (upholstery): L x W x H = 400 x 115 x 40 mm



Art.-no. 40220
Arm rest, swivelling, incl. artificial leather covered upholstery in colour of choice, dimensions (upholstery): L x W = 600 x 165 mm



Art.-no. 40070
Wall holder made of stainless steel, for attachment of footrests, leg holders, leg plates and further accessories to fix at side rail (25 x 10 mm), dimensions (L x W x H): 300 x 235 x 200 mm



Standard Accessories



Art.-no. 82348

Examination luminaire for attachment at holder 82349_1, 82349_2 or 82349_3

- LED technology (50'000 lx / 0.5 m)
- Illuminated field 180 mm
- Precise colour rendering Ra >93
- Light colours 3300 K, 3800 K or 4400 K
- Illumination strength dimmable in five stages
- Operating unit on light head
- Stepless positioning through flexible arm
- Slight thermal radiation in light



Art.-no. 82349_1

Holder for examination luminaire, adaptable on the right side

Art.-no. 82349_2

Holder for examination luminaire, adaptable on the left side

Art.-no. 82349_3

Examination luminaire holder for examination chair with colposcope holder, adaptable at the right or at the left side

Additional furniture



Art.-no. 206020

Mobile stool with polished five-arm aluminium base, double swivel castors \varnothing 50 mm, height adjustment with gas spring support from 420 to 550 mm via release lever under seat, upholstery made of artificial leather covered foam according to colour chart, dimensions:
seat: \varnothing 360 mm,
upholstery: 60 mm,
base: \varnothing 600 mm

Additional furniture



Art.-no. 206045

Mobile stool with saddle seat and base ring, polished five-arm aluminium base, double swivel castors \varnothing 50 mm, height adjustment with gas spring support from 420 to 550 mm via release lever under seat, upholstery made of artificial leather covered foam according to colour chart, dimensions:
seat: \varnothing 400 mm,
upholstery: 60 mm,
base: \varnothing 600 mm

medifa



The medifa healthcare group unites competence concerning operating rooms under one roof.

medifa is an owner-run and internationally active complete solution provider in the medical technology.

The product and service portfolio covers all operating room requirements from modular wall, door, ceiling and cabinet systems (RooSy® Room Systems) for the turnkey operating room, as well as operating tables with accessories, operating lights right up to special construction solutions and medical furniture. In addition, one of

the largest German OEM suppliers in the medical technology sector also belongs to medifa.

medifa GmbH & Co. KG (Finnentrop), medifa hygienic rooms GmbH (Ötigheim) and medifa metall und medizintechnik GmbH in Rastatt are all part of this group of companies. The medifa healthcare group employs approximately 350 employees at three locations within Germany. The planning, engineering and production take place exclusively in Germany,

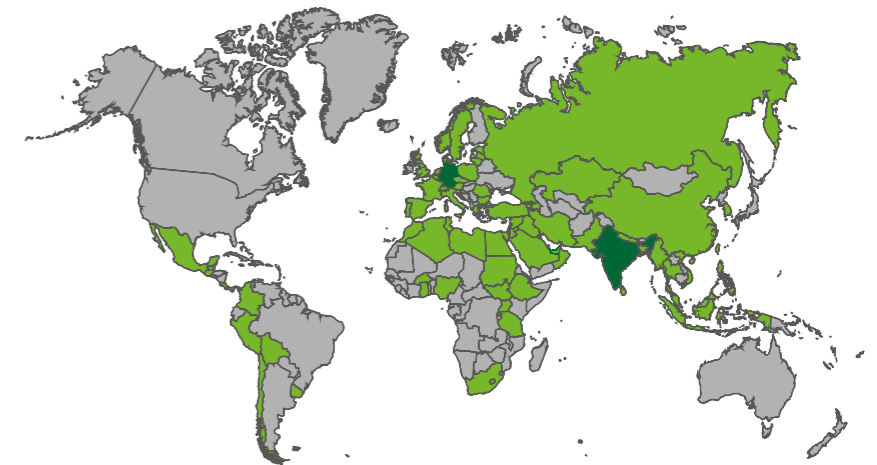
and with over 80% added value in the group of companies, the group guarantees fast reaction times.

The slogan "we care" means for us that we consistently orientate ourselves according to the requirements of our customers. Customers all over the world can rely on top-class consultation, processing and quality from a single source, made in Germany according to certified national and international quality standards.

Products

- Modular operating room systems (RooSy)
- Operating lights (H!Light)
- Mobile carbon tables for minimally invasive applications
- Operating tables and accessories
- Examination and treatment chairs
- Medical furniture and trolleys
- Customized medical solutions

medifa worldwide



we care.



Version 03-21-EN

Subject to modifications due to technical development.
This document is intended to provide information to an
international audience outside of the US.

www.medifa.com

we care. Code



medifa GmbH & Co. KG

Industriestraße 5
57413 Finnentrop

Germany

fon +49 2721 71 77 -0

fax +49 2721 71 77 -255

info@medifa.com

we care.