



medifa 5000

Mobile
Operating Tables



we care.

medifa 5000

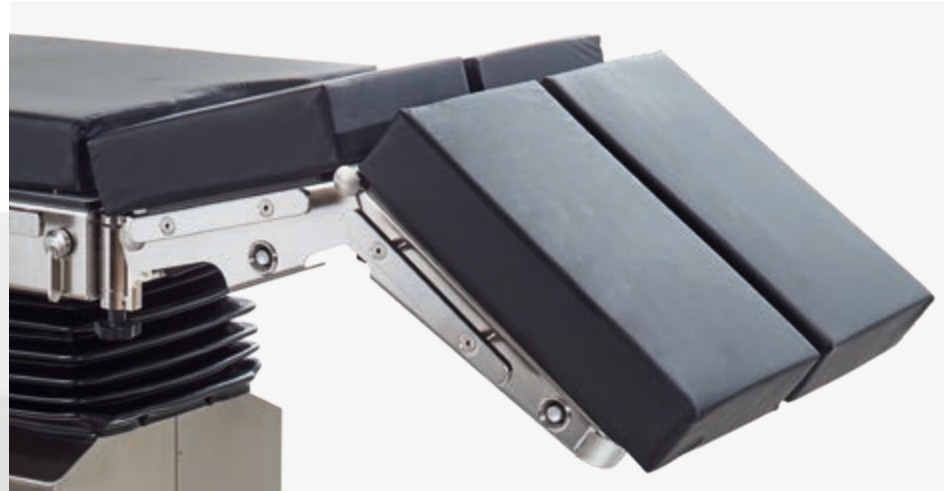
- Manual and electric models
- Versions with low basic height (600 mm)
- Models with sliding table top
- Available with viscoelastic foam SF or PUR upholsteries
- All metal components made of high-quality stainless steel (1.4301)
- Optimal cleaning and disinfection conditions
- Simple movement of the table by means of castors with direction stability
- Smooth running release mechanisms
- User-friendly control concept
- Suitable for various applications and patient positionings
- Suitable for x-ray and c-arm applications
- Wide range of accessories for all surgical disciplines
- Maximum permissible overall load up to 250 kg (550 lbs)



Manual models

Electric models

Functionality and ergonomics



Quick and simple handling

- Smooth running of release mechanisms



Low base height

- Special models with low base height of 600 mm are ideal for applications in a sitting position



Ergonomics

- Easy movement of operating table due to double swivel castors
- Two front castors with direction stability, lockable via foot pedal
- With central brake



Kidney elevator

- All medifa 5000 models can be optionally equipped with a manual kidney elevator

Functionality and comfort



One fixing system for all upholstery parts

- Fixing and removing of upholstery parts by means of pin system
- Particularly hygienic and easy to clean (no Velcro fastenings)
- Easy switching between SF and PUR upholstery



SF-Upholstery

- Very soft pressure-relieving viscoelastic foam
- Decubitus prophylaxis
- Height: 80 mm
- Detachable
- Electrically conductive
- Radiolucent



Comfort and hygiene

- Soft and hygienic upholstery prevents nosocomial infections and improves patient safety



PUR-Upholstery

- Ergonomically formed
- Height: 60 mm
- Detachable
- Electrically conductive
- Radiolucent

Control concept



Colour display with battery indicator

Activation of up to three user-defined operating positions (Memory)

Saving of up to three user-defined operating positions (Memory)

Reverse-Mode

Positioning keys

Stop key

Activation of hand switch

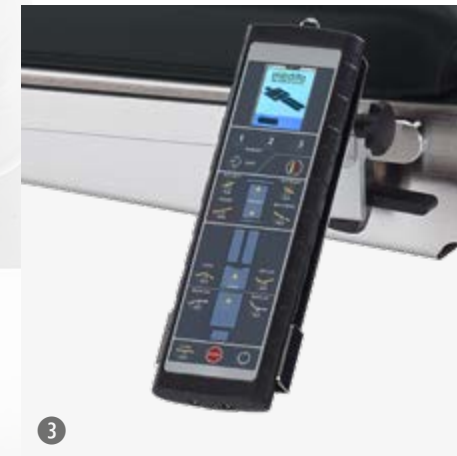
Automatic leveling

1. Standard: Backlit hand switch with integrated colour display and battery indicator

2. Standard: Additional control unit at column

3. Optional: Wireless infrared remote control with integrated colour display and battery indicator (art.-no. 604070, not retrofittable)

4. Optional: Foot switch for height, lateral and Trendelenburg adjustment (art.-no. 604060)



Manual models



Manual operating table

Art.-no. 501130

- Height adjustment by foot operated hydraulic pump from 750 mm up to 1,000 mm
- Gas spring supported Trendelenburg adjustment from -30° up to $+30^{\circ}$
- Lateral tilt by hand crank up to 20° , hand crank insertable at both sides
- Gas spring supported adjustment of back rest from -40° up to $+70^{\circ}$
- Adjustment to flex / reflex position
- Continuous X-ray cassette tunnel from head to foot end
- Lateral guide rails for attachment of accessories, stainless steel, 25 x 10 mm
- Viscoelastic SF (H = 80 mm) or PUR upholstery (H = 60 mm), electrically conductive, detachable, radiolucent
- Four double swivel castors \varnothing 125 mm with central brake, electrically conductive, two castors with direction stability
- Maximum permissible overall load up to 200 kg (440 lbs)

Further manual models:

Art.-no. 501135

Additionally with longitudinal sliding up to 310 mm

Configuration example

Art.-no. 501130

Manual operating table

Art.-no. 61144SF

Head rest

Art.-no. 61655SF

Kidney elevator

Art.-no. 61615SF

Divided leg rests

Art.-no. 61220SF

Arm rest

Price on request!

Specialities

- Day surgery
- General surgery
- Gynaecology
- Urology
- Proctology

All models of medifa 5000 can be equipped with a wide range of further accessories!

Electric models



Electric operating table

Art.-no 504220

- Electrical height adjustment from 780 up to 1,080 mm
- Electrical Trendelenburg adjustment from -30° up to +25°
- Electrical lateral tilt up to 20°
- Gas spring supported adjustment of back rest from -40° up to +70°
- Adjustment to flex/ reflex position
- Return to 0-position
- Corded hand switch with integrated colour display and battery indicator for electrical functions
- Additional control unit at the column
- Continuous X-ray cassette tunnel from head to foot end
- Lateral guide rails for attachment of accessories, stainless steel, 25 x 10 mm
- Viscoelastic SF (H = 80 mm) or PUR upholstery (H = 60 mm), electrically conductive, detachable, radiolucent
- Four double swivel castors ø 125 mm with central brake, electrically conductive, two castors with direction stability
- Power supply 110 V or 220 V, 50-60 Hz, integrated batteries incl. charger



Further electric models

with standard height:

Art.-no. 504225

Additionally with longitudinal sliding up to 285 mm

Art.-no. 504320

Additionally with electrical back rest adjustment

Art.-no. 504325

Additionally with electrical back rest adjustment and longitudinal sliding up to 285 mm



- All electric models are also available with low base height of 600 mm
- Available with manual or electrical adjustment of back rest
- Overview of all configuration options on page 14-15

Configuration example

Art.-no. 504220

Electric operating table

Art.-no. 61144SF

Head rest

Art.-no. 61655SF

Kidney elevator

Art.-no. 61615SF

Divided leg rests

Art.-no. 61220SF

Arm rest

Price on request!

Specialities

- Day surgery
- General surgery
- Gynaecology
- Urology
- Proctology

Models at a glance

		Manual	
		501130	501135
	Height adjustment	750 - 1,000 mm	750 - 1,000 mm
	Height adjustment	780 - 1,080 mm	
	Height adjustment	600 - 950 mm	
	Trendelenburg	-30° / +30°	-30° / +30°
	Trendelenburg	-30° / +25°	
	Lateral tilt	-20° / +20°	-20° / +20°
	Back rest adjustment	-40° / +70°	-40° / +70°
	Longitudinal sliding	310 mm	310 mm
	Longitudinal sliding	285 mm	285 mm
	Automatic leveling		
	Flexion		
	Central brake		
	Kidney bridge		
	Memory (3 Positions)		
	Maximum permissible overall load	200 kg	200 kg

		Electrical			
		504220	504225	504320	504325
		●	●	●	●
		●	●	●	●
		●	●	●	●
		●	●	●	●
		■	■	●	●
			●		●
		●	●	●	●
		■●	■●	●	●
		■	■	■	■
		◆	◆	◆	◆
		●	●	●	●
		200 kg	200 kg	250 kg	250 kg

		Electrical with low height			
		505220	505225	505320	505325
		●	●	●	●
		●	●	●	●
		●	●	●	●
		●	●	●	●
		■	■	●	●
			●		●
		●	●	●	●
		■●	■●	●	●
		■	■	■	■
		◆	◆	◆	◆
		●	●	●	●
		200 kg	200 kg	250 kg	250 kg

● Electrical ■ Manual ◆ Optional

Positioning examples



General surgery in supine position



Thoracic surgery in lateral position



Gynaecology, urology and proctology in lithotomy position

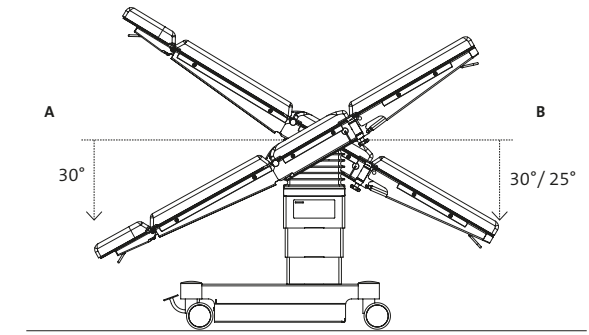
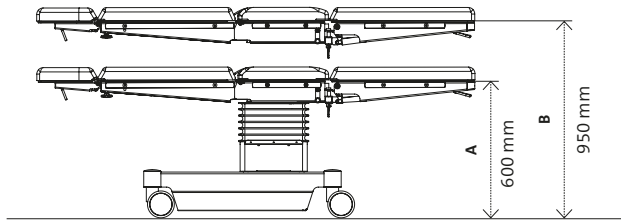
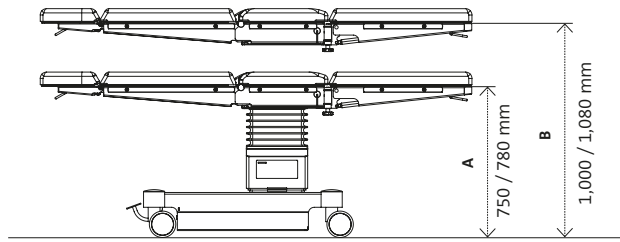


Knee arthroscopy in supine position



Shoulder arthroscopy in beach chair position

Technical data



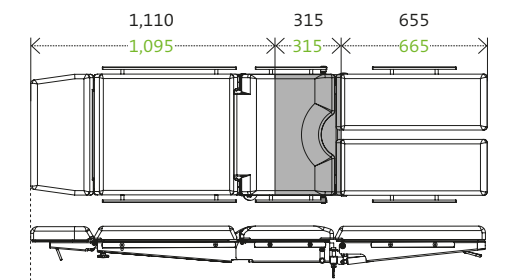
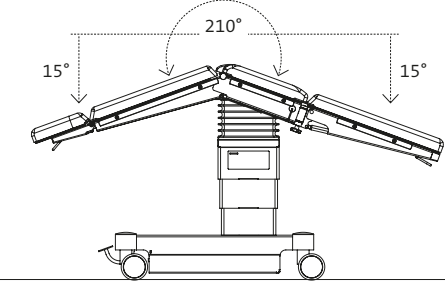
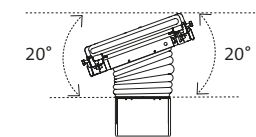
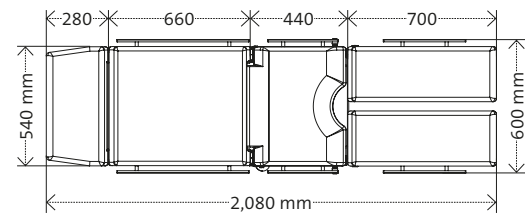
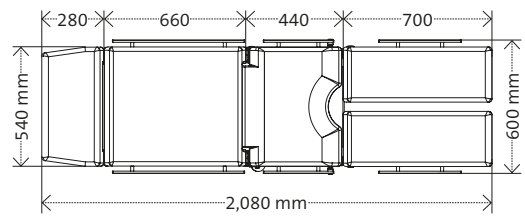
Models	Adjusting range	
	Height A	Height B
501130 / 501135	750 mm	1,000 mm
504220 / 504225 / 504320 / 504325	780 mm	1,080 mm

Models	Adjusting range	
	Height A	Height B
505220 / 505225 / 505320 / 505325	600 mm	950 mm

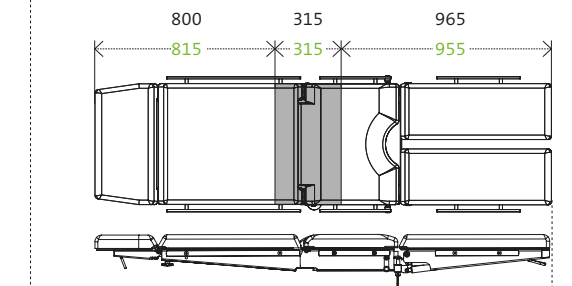
Models	Adjusting range	
	A	B
501130 / 501135	30°	30°
504220 / 504225 / 504320 / 504325	30°	25°
505220 / 505225 / 505320 / 505325	30°	25°

Models	Intraoperative imaging
501135	
504225 / 504325 505225 / 505325	

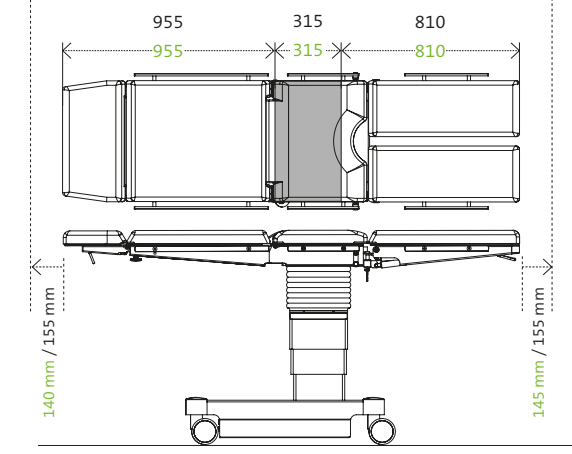
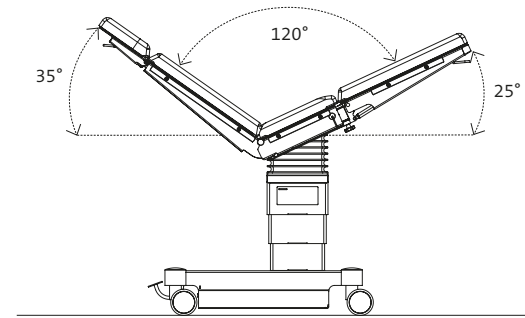
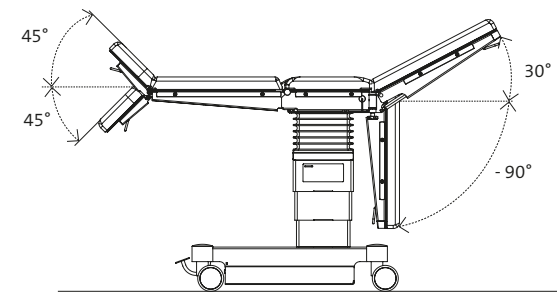
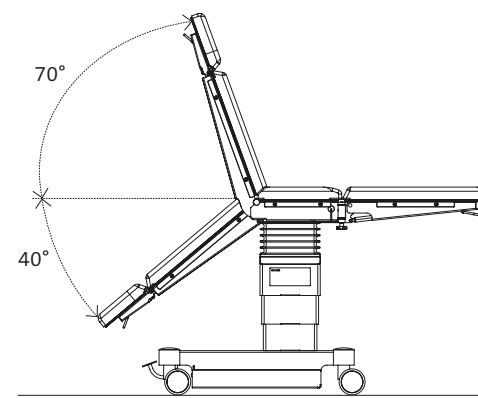
Lengths with SF upholstery



Sliding of table top left-sided

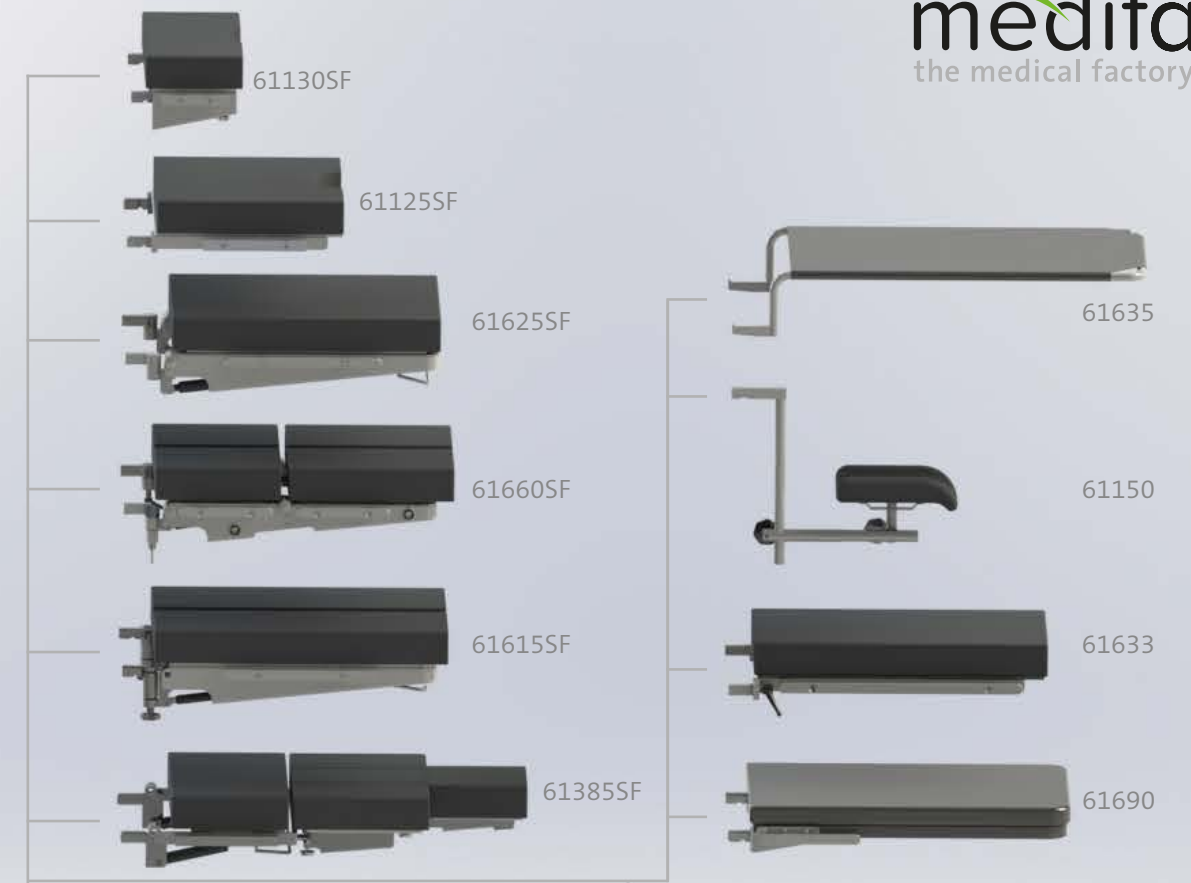


Sliding of table top right-sided



Basic position

Configuration





Head rest large for medifa 5000 and 6000

Art.-no. 61144SF

- Easy adjustment by means of gas spring from -45° to +45°
- Docking and undocking at back rest
- L x W: 285 x 495 mm
- Upholstery: Viscoelastic SF upholstery, H = 80 mm, radiolucent, electrically conductive, detachable
- Also available with PUR upholstery, H = 60 mm (Art.-no. 61144)



Head rest large with double joint for medifa 5000 and 6000

Art.-no. 61146SF

- Easy adjustment by means of gas spring from -45° to +45°
- Double joint enables additional tilting
- Docking and undocking at back rest
- L x W: 285 x 495 mm
- Upholstery: Viscoelastic SF upholstery, H = 80 mm, radiolucent, electrically conductive, detachable
- Also available with PUR upholstery, H = 60 mm (Art.-no. 61146)



Kidney bridge for medifa 5000 and model 601120

Art.-no. 61655SF

- Manually adjustable by hand crank
- Upholstery: Viscoelastic SF upholstery, H = 80 mm, radiolucent, electrically conductive, detachable
- Also available with PUR upholstery, H = 60 mm (Art.-no. 61655)
- Cannot be retrofitted!



Tripartite back rest for medifa 5000 and model 601120

Art.-no. 61385SF

- Incl. head rest
- Easy access to shoulder area by means of three detachable segments
- Docking and undocking at pelvis section (Reverse-Mode)
- Easy adjustment by means of gas spring
- L x W: each segment 315 x 170 mm
- Upholstery: Viscoelastic SF upholstery, H = 80 mm, radiolucent, electrically conductive, detachable
- Also available with PUR upholstery, H = 60 mm (Art.-no. 61385)



Pelvis section extension for medifa 5000 and 6000 (L= 430 mm)

Art.-no. 61125SF

- Extension of pelvis section by 430 mm
- With cut-out
- Integrated side rails (EU)
- L x W: 430 x 540 mm
- Upholstery: Viscoelastic SF upholstery, H = 80 mm, radiolucent, electrically conductive, detachable
- Also available with PUR upholstery, H = 60 mm (Art.-no. 61125)



Pelvis section extension for medifa 5000 and 6000 (L= 250 mm)

Art.-no. 61130SF

- Extension of pelvis section by 250 mm
- With cut-out
- Integrated side rails (EU)
- L x W: 250 x 540 mm
- Upholstery: Viscoelastic SF upholstery, H = 80 mm, radiolucent, electrically conductive, detachable



Leg rest for medifa 5000 and models 601120, 601700, 601820

Art.-no. 61625SF

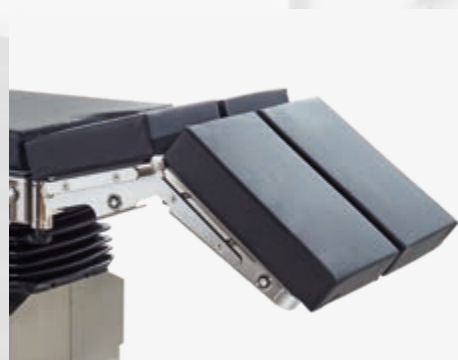
- Adjustment by means of gas spring from -90° up to $+30^{\circ}$
- Docking and undocking at pelvis section
- Integrated side rails (EU)
- L x W: 670 x 540 mm
- Upholstery: Viscoelastic SF upholstery, H = 80 mm, radiolucent, electrically conductive, detachable
- Also available with PUR upholstery, H = 60 mm (Art.-no. 61625)



Divided leg rest for medifa 5000 and models 601120, 601700, 601820

Art.-no. 61615SF

- Adjustment by means of gas spring from -90° up to $+30^{\circ}$, swivelling up to 180°
- Docking and undocking at pelvis section
- Integrated side rails (EU)
- L x W: each 730 x 250 mm
- Upholstery: Viscoelastic SF upholstery, H = 80 mm, radiolucent, electrically conductive, detachable
- Also available with PUR upholstery, H = 60 mm (Art.-no. 61615)



Double divided leg rest for medifa 5000 and models 601120, 601700, 601820

Art.-no. 61660SF

- Adjustment by means of gas spring from $+30^{\circ}$ up to -90° , swivelling up to 180° , bendable
- Docking and undocking at pelvis section
- Integrated side rails (EU)
- L x W: each 720 x 250 mm
- Upholstery: Viscoelastic SF upholstery, H = 80 mm, radiolucent, electrically conductive, detachable
- Also available with PUR upholstery, H = 60 mm (Art.-no. 61660)



Carbon positioning rest for medifa 5000 and 6000

Art.-no. 61690

- Incl. upholstery
- For intraoperative x-ray, optimal radiolucency (360°)
- Docking and undocking at pelvis section or lower back rest
- L x W: 750 x 540 mm
- Upholstery: SF, H = 45 mm, radiolucent, electrically conductive



Transfer leg rest for medifa 5000 and 6000

Art.-no. 61635

- For short-time positioning of legs
- Docking and undocking at pelvis section
- L x W: 900 x 500 mm



Paediatric surgery rest for medifa 5000 and 6000

Art.-no. 61633

- Docking and undocking at pelvis section
- Integrated side rails (EU)
- L x W: 700 x 430 mm
- Upholstery: Viscoelastic foam, H = 60 mm, electrically conductive



Extension segments medifa 5000, 6000 and 7000

Art.-no. 61355SF

- Segments for extension of operating table's lying surface
- Integrated side rails (EU)
- L x W: each segment 310 x 105 mm
- Upholstery: Viscoelastic SF upholstery, H = 70 mm, radiolucent, electrically conductive, detachable
- Also available with PUR upholstery, H = 60 mm (Art.-no. 61355)
- Pair



Connecting bar for medifa 5000 and 6000

Art.-no. 61670

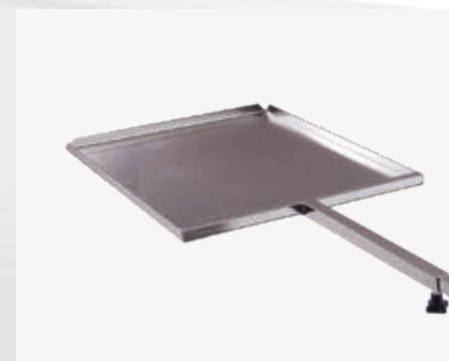
- Exchange of stainless steel connecting bar at back rest with a radiolucent connecting bar made of special plastic
- Improves radiolucency of back rest



Foot switch for medifa 5000 and medifa 6000

Art.-no. 604060

- Additional control unit to adjust the main functions height, lateral and Trendelenburg movement
- Tethered
- Cannot be retrofitted!



Radiographic cassette carrier for medifa 5000 and 6000

Art.-no. 61640

- To insert radiographic cassettes under table top of operating table
- With telescopic rod
- L x W x H: 470 x 385 x 16 mm
- Suitable for radiographic cassettes with dimensions 14" x 17" (US)
- Material: Stainless steel



Infrared remote control for medifa 5000 and medifa 6000

Art.-no. 604070

- Wireless data transfer
- Control panel for all electric functions of operating table
- Incl. charging station



Rinsing set for medifa 5000 and 6000

Art.-no. 61120

- Incl. bucket, basin, strainer, tube, undercarriage and fixation
- Docking and undocking at pelvis section
- L x W x H (Basin): 325 x 265 x 65 mm
- Volume (Bucket): 15 litre
- Material: Stainless steel

Additional accessories

A wide range of optional accessories complements the application spectrum of our operating tables.

For central storage of accessories we offer a trolley (art.-no. 341045) made of polished stainless steel.

Further accessories can be found in our brochure "Accessories for operating tables".



Further products for the OR

medifa H!Light. The operating light of medifa.

The LED operating lights from medifa ensure optimum working conditions for surgeons and nurses during the surgery.

The medifa H!Light has a universal handle holder. The use of a disposable handle, a sterile handle or a 4K wireless camera system on the same light body is possible without tools and future-proof. Sterile control of the main functions is available as an option.



Learn more:



Further products for the OR

RooSy. The modular Room System of medifa.

The prefabricated modular room system from medifa is specially designed for the high demands in the operating room.

The perfectly coordinated wall, door and ceiling system guarantees the highest standards with maximum flexibility. medifa undertakes the complete planning, production and installation in-house and sees itself as a complete supplier of turnkey operating theatres.

Learn more:



medifa

The medifa healthcare group unites competence concerning operating rooms under one roof.

medifa is an owner-run and internationally active complete solution provider in the medical technology.

The product and service portfolio covers all operating room requirements from modular wall, door, ceiling and cabinet systems (RooSy® Room Systems) for the turnkey operating room, as well as operating tables with accessories, operating lights right up to special construction solutions and medical furniture. In addition, one of

the largest German OEM suppliers in the medical technology sector also belongs to medifa.

medifa GmbH & Co. KG (Finnentrop), medifa hygienic rooms GmbH (Ötigheim) and medifa metall und medizintechnik GmbH in Rastatt are all part of this group of companies. The medifa healthcare group employs approximately 350 employees at three locations within Germany. The planning, engineering and production take place exclusively in Germany,

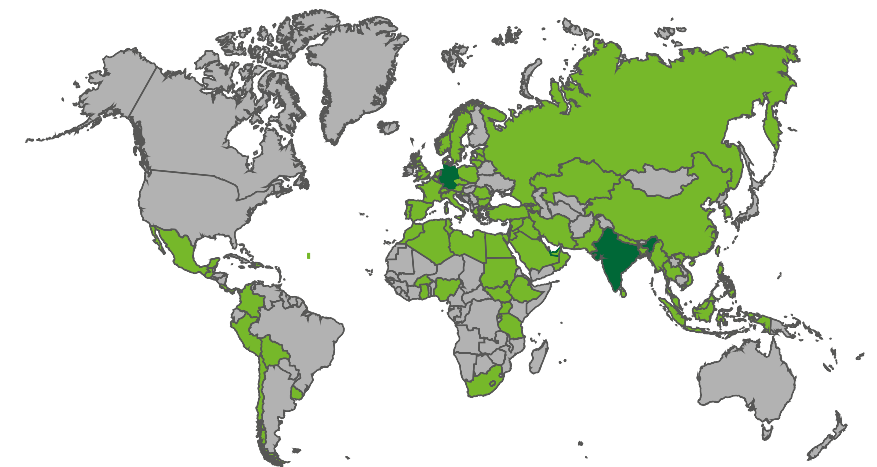
and with over 80% added value in the group of companies, the group guarantees fast reaction times.

The slogan "we care" means for us that we consistently orientate ourselves according to the requirements of our customers. Customers all over the world can rely on top-class consultation, processing and quality from a single source, made in Germany according to certified national and international quality standards.

Products

- Modular operating room systems (RooSy)
- Operating lights (H!Light)
- Mobile carbon tables for minimally invasive applications
- Operating tables and accessories
- Examination and treatment chairs
- Medical furniture and trolleys
- Customized medical solutions

medifa worldwide



we care.



Version 01-21-EN

Subject to modifications due to technical development.
This document is intended to provide information to an
international audience outside of the US.

www.medifa.com

we care. Code



medifa GmbH & Co. KG

Industriestraße 5
57413 Finnentrop

Germany

fon +49 2721 71 77 -0

fax +49 2721 71 77 -255

info@medifa.com

we care.